

High Performance Ball Valves

BV Series

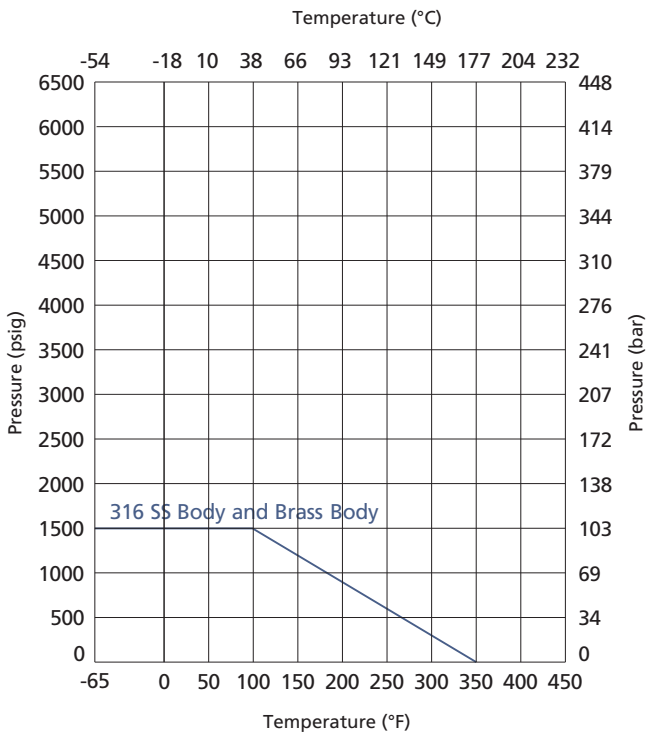
Features

- ⦿ Working pressure up to: 6000 psig (414 bar)
- ⦿ Working temperature: -65°F to 450°F (-54°C to 232°C)
- ⦿ Bi-directional flow for straight valves
- ⦿ Low operating torque
- ⦿ Positive handle stop
- ⦿ Handle as indicator of flow direction
- ⦿ Handle color options are available
- ⦿ Manual, electric or pneumatic actuator available
- ⦿ Leak-tight performance testing with nitrogen or compressed air for every valve to meet the requirement of no visible leakage at the maximum working pressure
- ⦿ The inlet of 3-way valves and angle pattern valves should be only from the bottom

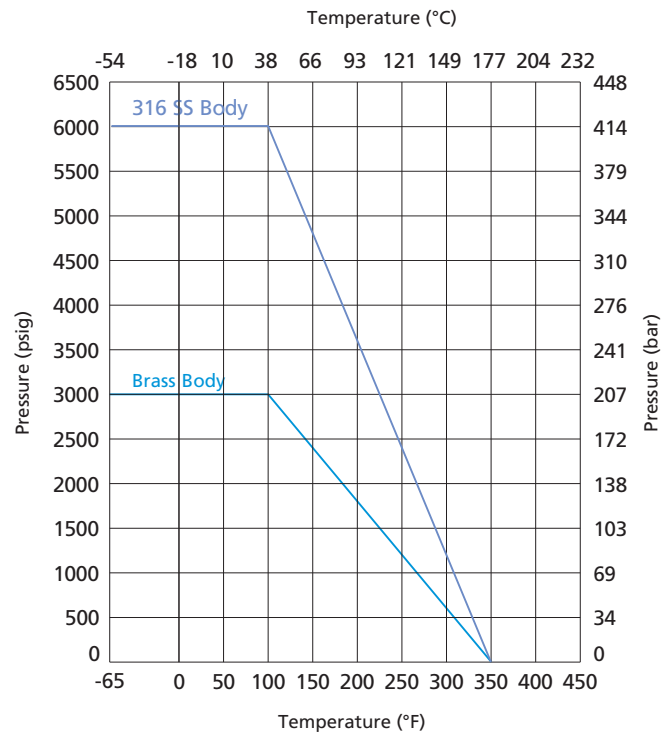


Pressure vs. Temperature

PTFE Seat

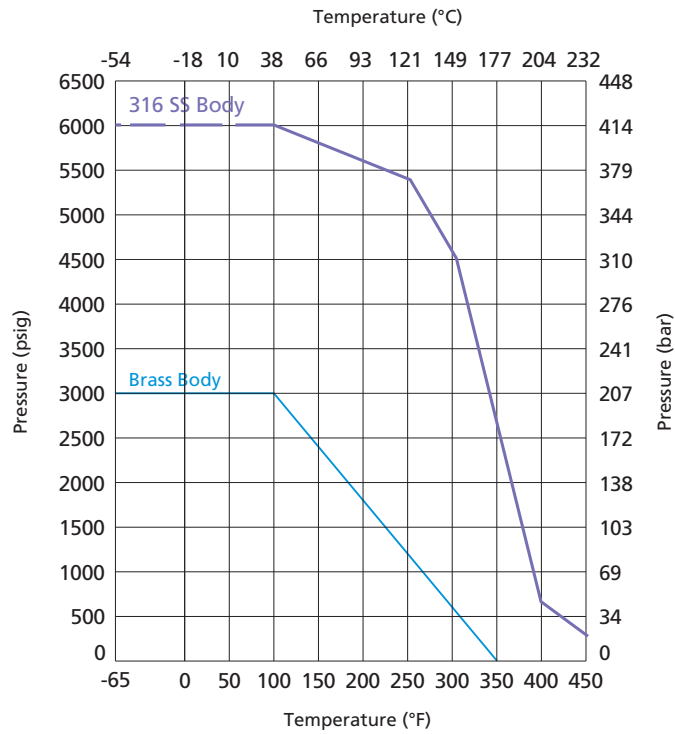


PCTFE Seat



Note: The working pressure of valves is restricted by materials of the valve body and seat, as well as end connections. When choosing a valve for your applications, please refer to the above Temperature vs. Pressure Curves and the pressure rating in the dimension table. The minimum value shall be the pressure rating of the valve.

PEEK Seat



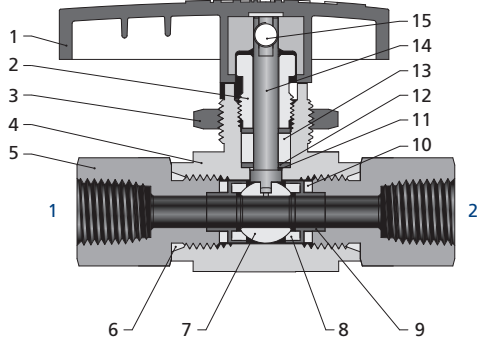
Working Temperature Rating

Packing Material	Temperature Range °F (°C)
PTFE	-65 to 450 (-54 to 232)
Buna-N	-20 to 250 (-28 to 121)
Fluorocarbon FKM	-15 to 450 (-26 to 232)
Neoprene	-20 to 250 (-28 to 121)

The working temperature of the valves is restricted by the working temperature of the seat and stem packing. The working temperature range of the valves should be the overlapped area of the two working temperature curves.

Standard Materials of Construction

Straight Valves

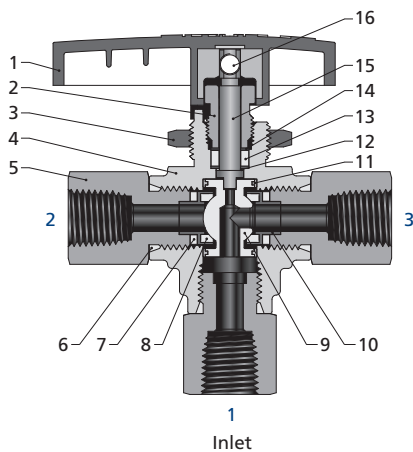


Item	Component	Valve Body Material	
		SS	Brass
1	Handle	Nylon or Aluminium	
2	Packing Nut	316 SS/A276	C36000/B16
3	Panel Nut	316 SS/A276	
4	Body	<i>CF8M/A351</i>	<i>C37700/B283</i>
5	End Connection	316 SS/A479	C36000/B16
6	Connection O-ring	PTFE	
7	Ball	316 SS/A479	
8	Seat	<i>PTFE or PCTFE or PEEK</i>	
9	Seat Retainer	316 SS/A276	C36000/B16
10	Seat Packing	PTFE	
11	Stem Back-up Ring	PEEK	
12	Stem Washer	316/A276	
13	Stem Packing	<i>PTFE or Fluorocarbon FKM or Neoprene or Buna N</i>	
14	Stem	316 SS/A276	
15	Set Screw	SS	
Lubricants		<i>Fluorinated-based and silicone-based</i>	

Note: Wetted components are listed in *italic*.

For other materials, please contact FITOK Group or our authorized distributors.

3-way Valves

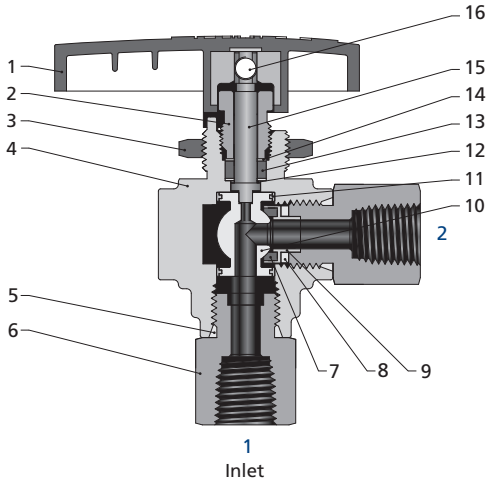


Item	Component	Valve Body Material	
		SS	Brass
1	Handle	Nylon or Aluminium	
2	Packing Nut	316 SS/A276	C36000/B16
3	Panel Nut	316 SS/A276	
4	Body	<i>CF8M/A351</i>	<i>C37700/B283</i>
5	End Connection	316 SS/A479	C36000/B16
6	Connection O-ring	PTFE	
7	Seat Packing	PTFE	
8	Seat	<i>PTFE or PCTFE or PEEK</i>	
9	Ball	316 SS/A479	
10	Seat Retainer	316 SS/A276	316 SS/A276
11	Trunnion Bearing	PEEK	
12	Stem Back-up Ring	PEEK	
13	Stem Packing	<i>PTFE or Fluorocarbon FKM or Neoprene or Buna N</i>	
14	Stem Washer	316 SS/A276	
15	Stem	316 SS/A276	
16	Set Screw	SS	
Lubricants		<i>Fluorinated-based and silicone-based</i>	

Note: Wetted components are listed in *italic*.

For other materials, please contact FITOK Group or our authorized distributors.

Angle Pattern Valves

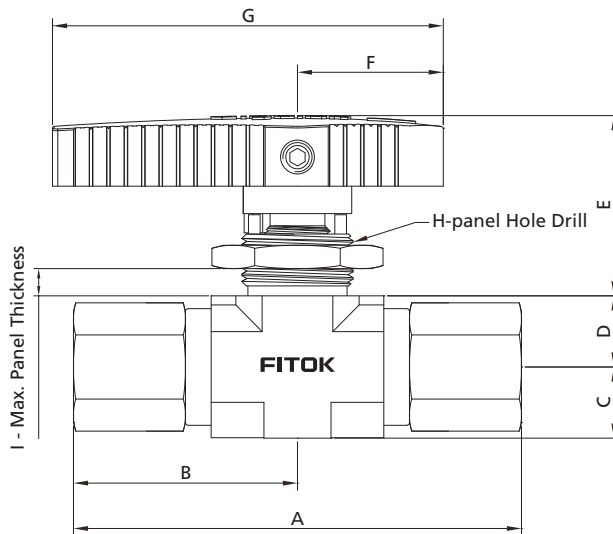


Item	Component	Valve Body Material	
		SS	Brass
1	Handle	Nylon or Aluminium	
2	Packing Nut	316 SS/A276	C36000/B16
3	Panel Nut	316 SS/A276	
4	<i>Body</i>	<i>CF8M/A351</i>	<i>C37700/B283</i>
5	<i>Connection O-ring</i>	PTFE	
6	<i>End Connection</i>	316 SS/A479	C36000/B16
7	<i>Seat</i>	PTFE or PCTFE or PEEK	
8	<i>Seat Packing</i>	PTFE	
9	<i>Seat Retainer</i>	316 SS/A276	
10	<i>Ball</i>	316 SS/A479	
11	<i>Trunnion Bearing</i>	PEEK	
12	<i>Stem Back-up Ring</i>	PEEK	
13	<i>Stem Packing</i>	PTFE or Fluorocarbon FKM or Neoprene or Buna N	
14	<i>Stem Washer</i>	316 SS/A276	
15	<i>Stem</i>	316 SS/A276	
16	<i>Set Screw</i>	SS	
Lubricants		Fluorinated-based and silicone-based	

Note: Wetted components are listed in italic.
For other materials, please contact FITOK Group or our authorized distributors.

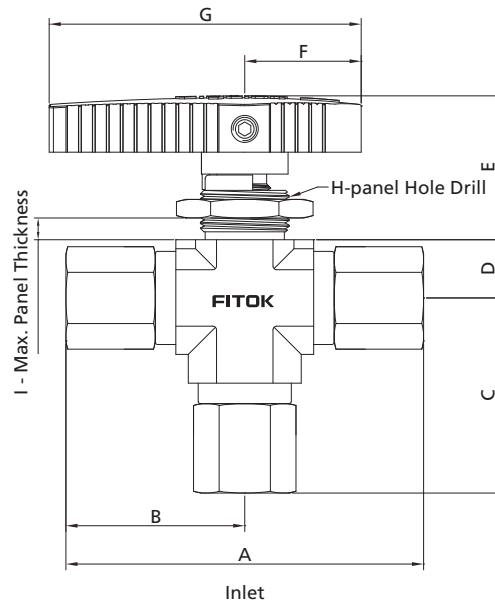
Dimensions

Straight Valves



Basic Ordering Number	Connection Type and Size	Pressure Rating of End Connections @ 100°F (38°C) psig (bar)		Orifice in. (mm)	Cv	Dimension, in. (mm)												
		Connection 1/2	SS			Brass	A	B	C	D	E	F	G	H	I			
BV□□-FL1-01	1/16" FITOK	6000 (414)	3000 (207)	0.05 (1.3)	0.06	2.60 (66.0)	1.30 (33.0)											
BV□□-FL2-02	1/8" FITOK	6000 (414)	3000 (207)	0.09 (2.4)	0.21	2.72 (69.0)	1.36 (34.5)											
BV□□-ML3-02	3 mm FITOK	6000 (414)	3000 (207)			2.74 (69.6)	1.37 (34.8)											
BV□□-FRT2-04	1/8 Female BSPT	6000 (414)	3000 (207)	0.17 (4.2)	0.93	2.14 (54.4)	1.07 (27.2)	0.36 (9.2)	0.33 (8.5)	0.94 (23.9)	0.79 (20.0)	1.97 (50.0)	0.58 (14.7)	0.18 (4.6)				
BV□□-FRP2-04	1/8 Female BSPP	6000 (414)	3000 (207)															
BV□□-FNS2-04	1/8 Female NPT	6000 (414)	3000 (207)															
BV□□-RT2-04	1/8 Male BSPT	6000 (414)	3000 (207)															
BV□□-BP2-04	1/8 Male BSPP	6000 (414)	3000 (207)															
BV□□-NS2-04	1/8 Male NPT	6000 (414)	3000 (207)															
BV□□-RT4-04	1/4 Male BSPT	6000 (414)	3000 (207)															
BV□□-BP4-04	1/4 Male BSPP	6000 (414)	3000 (207)															
BV□□-NS4-04	1/4 Male NPT	6000 (414)	3000 (207)															
BV□□-FL4-05	1/4" FITOK	6000 (414)	3000 (207)			0.19 (4.7)	1.04	3.48 (88.4)	1.74 (44.2)									
BV□□-ML6-05	6 mm FITOK	6000 (414)	3000 (207)	3.50 (89.0)	1.75 (44.5)													
BV□□-FL6-06	3/8" FITOK	6000 (414)	2200 (152)	0.25 (6.4)	2.34	3.60 (91.4)	1.80 (45.7)	0.48 (12.2)	0.48 (12.2)	1.24 (31.5)	0.59 (25.0)	2.64 (67.0)	0.77 (19.6)	0.25 (6.4)				
BV□□-ML8-06	8 mm FITOK	6000 (414)	2300 (159)			3.56 (90.4)	1.78 (45.2)											
BV□□-ML10-06	10 mm FITOK	6000 (414)	1900 (131)			3.62 (92.0)	1.81 (46.0)											
BV□□-FRT4-06	1/4 Female BSPT	6000 (414)	3000 (207)															
BV□□-FRP4-06	1/4 Female BSPP	6000 (414)	3000 (207)															
BV□□-FNS4-06	1/4 Female NPT	6000 (414)	3000 (207)															
BV□□-RT4-06	1/4 Male BSPT	6000 (414)	3000 (207)															
BV□□-BP4-06	1/4 Male BSPP	6000 (414)	3000 (207)															
BV□□-NS4-06	1/4 Male NPT	6000 (414)	3000 (207)															
BV□□-RT6-06	3/8 Male BSPT	6000 (414)	3000 (207)															
BV□□-BP6-06	3/8 Male BSPP	6000 (414)	3000 (207)															
BV□□-NS6-06	3/8 Male NPT	6000 (414)	3000 (207)															
BV□□-FL8-10	1/2" FITOK	6000 (414)	2100 (145)	0.41 (10.3)	6.42	4.68 (118.8)	2.34 (59.4)											
BV□□-FL12-10	3/4" FITOK	5800 (400)	1800 (124)															
BV□□-ML12-10	12 mm FITOK	6000 (414)	2000 (138)	0.37 (9.5)	5.57	4.66 (118.4)	2.33 (59.2)											
BV□□-ML14-10	14 mm FITOK	6000 (414)	1900 (131)															
BV□□-ML16-10	16 mm FITOK	5800 (400)	1700 (117)	0.41 (10.3)	6.42	4.84 (123.0)	2.42 (61.5)	0.75 (19.0)	0.71 (18.0)	1.54 (39.0)	1.42 (36.0)	3.78 (96.0)	0.90 (22.9)	0.38 (9.7)				
BV□□-ML18-10	18 mm FITOK	5400 (372)	1600 (110)															
BV□□-ML20-10	20 mm FITOK	5500 (379)	1600 (110)															
BV□□-ML22-10	22 mm FITOK	4900 (338)	1450 (100)															
BV□□-FRT6-10	3/8 Female BSPT	6000 (414)	3000 (207)															
BV□□-FRP6-10	3/8 Female BSPP	6000 (414)	3000 (207)															
BV□□-FNS6-10	3/8 Female NPT	6000 (414)	3000 (207)															
BV□□-FRT8-10	1/2 Female BSPT	6000 (414)	3000 (207)															
BV□□-FRP8-10	1/2 Female BSPP	6000 (414)	3000 (207)															
BV□□-FNS8-10	1/2 Female NPT	6000 (414)	3000 (207)															
BV□□-FRT12-10	3/4 Female BSPT	6000 (414)	3000 (207)															
BV□□-FRP12-10	3/4 Female BSPP	6000 (414)	3000 (207)															
BV□□-FNS12-10	3/4 Female NPT	6000 (414)	3000 (207)															
BV□□-RT8-10	1/2 Male BSPT	6000 (414)	3000 (207)															
BV□□-BP8-10	1/2 Male BSPP	6000 (414)	3000 (207)															
BV□□-NS8-10	1/2 Male NPT	6000 (414)	3000 (207)															
BV□□-RT12-10	3/4 Male BSPT	6000 (414)	3000 (207)															
BV□□-BP12-10	3/4 Male BSPP	6000 (414)	3000 (207)															
BV□□-NS12-10	3/4 Male NPT	6000 (414)	3000 (207)															

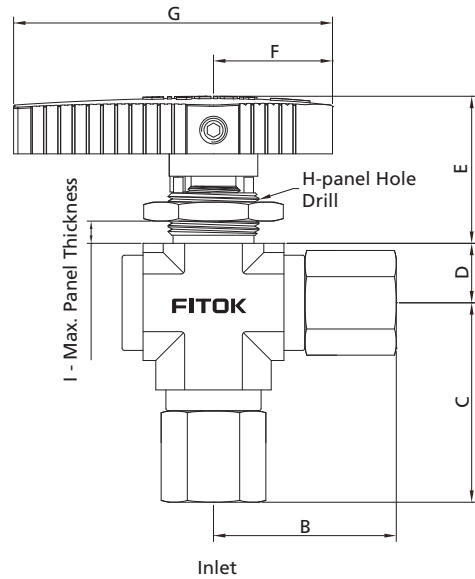
3-way Valves



Basic Ordering Number	Connection Type and Size	Pressure Rating of End Connections @ 100°F (38°C), psig (bar)		Orifice in. (mm)	Cv	Dimension, in. (mm)												
		SS	Brass			A	B	C	D	E	F	G	H	I				
BV□□-FL1-01-3	1/16" FITOK	6000 (414)	3000 (207)	0.05 (1.3)	0.06	2.60 (66.0)	1.30 (33.0)	1.35 (34.3)										
BV□□-FL2-02-3	1/8" FITOK	6000 (414)	3000 (207)	0.09 (2.4)	0.21	2.72 (69.0)	1.36 (34.5)	1.41 (35.8)										
BV□□-ML3-02-3	3 mm FITOK	6000 (414)	3000 (207)			2.74 (69.6)	1.37 (34.8)	1.42 (36.1)										
BV□□-FRT2-04-3	1/8 Female BSPT	6000 (414)	3000 (207)	0.12 (3.0)	0.28	2.14 (54.4)	1.07 (27.2)	1.12 (28.5)										
BV□□-FRP2-04-3	1/8 Female BSPP	6000 (414)	3000 (207)															
BV□□-FNS2-04-3	1/8 Female NPT	6000 (414)	3000 (207)								0.33 (8.5)	0.94 (23.9)	0.79 (20.0)	1.97 (50.0)	0.58 (14.7)	0.18 (4.6)		
BV□□-RT2-04-3	1/8 Male BSPT	6000 (414)	3000 (207)					2.36 (60.0)	1.18 (30.0)	1.23 (31.3)								
BV□□-BP2-04-3	1/8 Male BSPP	6000 (414)	3000 (207)															
BV□□-NS2-04-3	1/8 Male NPT	6000 (414)	3000 (207)															
BV□□-RT4-04-3	1/4 Male BSPT	6000 (414)	3000 (207)															
BV□□-BP4-04-3	1/4 Male BSPP	6000 (414)	3000 (207)					2.70 (68.6)	1.35 (34.3)	1.40 (35.6)								
BV□□-NS4-04-3	1/4 Male NPT	6000 (414)	3000 (207)															
BV□□-FL4-05-3	1/4" FITOK	6000 (414)	3000 (207)			0.19 (4.7)	0.70	3.48 (88.4)	1.74 (44.2)	1.88 (47.7)								
BV□□-ML6-05-3	6 mm FITOK	6000 (414)	3000 (207)							3.50 (89.0)	1.75 (44.5)	1.89 (48.0)						
BV□□-FL6-06-3	3/8" FITOK	6000 (414)	3000 (207)							3.60 (91.4)	1.80 (45.7)	1.94 (49.2)						
BV□□-ML8-06-3	8 mm FITOK	6000 (414)	3000 (207)					3.56 (90.4)	1.78 (45.2)	1.92 (48.7)								
BV□□-ML10-06-3	10 mm FITOK	6000 (414)	3000 (207)					3.62 (92.0)	1.81 (46.0)	1.95 (49.5)								
BV□□-FRT4-06-3	1/4 Female BSPT	6000 (414)	3000 (207)															
BV□□-FRP4-06-3	1/4 Female BSPP	6000 (414)	3000 (207)					3.02 (76.8)	1.51 (38.4)	1.65 (41.9)	0.48 (12.2)	1.24 (31.5)	0.59 (25.0)	2.64 (67.0)	0.77 (19.6)	0.25 (6.4)		
BV□□-FNS4-06-3	1/4 Female NPT	6000 (414)	3000 (207)															
BV□□-RT4-06-3	1/4 Male BSPT	6000 (414)	3000 (207)															
Bv□□-BP4-06-3	1/4 Male BSPP	6000 (414)	3000 (207)															
BV□□-NS4-06-3	1/4 Male NPT	6000 (414)	3000 (207)															
BV□□-RT6-06-3	3/8 Male BSPT	6000 (414)	3000 (207)															
BV□□-BP6-06-3	3/8 Male BSPP	6000 (414)	3000 (207)					3.24 (82.2)	1.62 (41.1)	1.76 (44.6)								
BV□□-NS6-06-3	3/8 Male NPT	6000 (414)	3000 (207)															

Basic Ordering Number	Connection Type and Size	Pressure Rating of End Connections @ 100°F (38°C), psig (bar)		Orifice in. (mm)	Cv	Dimension, in. (mm)								
		SS	Brass			A	B	C	D	E	F	G	H	I
BV□□-FL8-10-3	1/2" FITOK	6000 (414)	2100 (145)	0.37 (9.5)	3.48	4.68 (118.8)	2.34 (59.4)	2.68 (68.1)	0.71 (18.0)	1.54 (39.0)	1.42 (36.0)	3.78 (96.0)	0.90 (22.9)	0.38 (9.7)
BV□□-FL12-10-3	3/4" FITOK	5800 (400)	1800 (124)			4.66 (118.4)	2.33 (59.2)	2.67 (67.9)						
BV□□-ML12-10-3	12 mm FITOK	6000 (414)	2000 (138)			4.84 (123.0)	2.42 (61.5)	2.76 (70.2)						
BV□□-ML14-10-3	14 mm FITOK	6000 (414)	1900 (131)											
BV□□-ML16-10-3	16 mm FITOK	5800 (400)	1700 (117)			3.90 (99.0)	1.95 (49.5)	2.29 (58.2)						
BV□□-ML18-10-3	18 mm FITOK	5400 (372)	1600 (110)											
BV□□-ML20-10-3	20 mm FITOK	5500 (379)	1600 (110)			4.30 (109.2)	2.15 (54.6)	2.49 (63.3)						
BV□□-ML22-10-3	22 mm FITOK	4900 (338)	1450 (100)											
BV□□-FRT6-10-3	3/8 Female BSPT	6000 (414)	3000 (207)			4.50 (114.2)	2.25 (57.1)	2.59 (65.8)						
BV□□-FRP6-10-3	3/8 Female BSPP	6000 (414)	3000 (207)											
BV□□-FNS6-10-3	3/8 Female NPT	6000 (414)	3000 (207)			4.44 (112.8)	2.22 (56.4)	2.56 (65.1)						
BV□□-FRT8-10-3	1/2 Female BSPT	6000 (414)	3000 (207)											
BV□□-FRP8-10-3	1/2 Female BSPP	6000 (414)	3000 (207)											
BV□□-FNS8-10-3	1/2 Female NPT	6000 (414)	3000 (207)											
BV□□-FRT12-10-3	3/4 Female BSPT	6000 (414)	3000 (207)											
BV□□-FRP12-10-3	3/4 Female BSPP	6000 (414)	3000 (207)											
BV□□-FNS12-10-3	3/4 Female NPT	6000 (414)	3000 (207)											
BV□□-RT8-10-3	1/2 Male BSPT	6000 (414)	3000 (207)											
BV□□-BP8-10-3	1/2 Male BSPP	6000 (414)	3000 (207)											
BV□□-NS8-10-3	1/2 Male NPT	6000 (414)	3000 (207)											
BV□□-RT12-10-3	3/4 Male BSPT	6000 (414)	3000 (207)											
BV□□-BP12-10-3	3/4 Male BSPP	6000 (414)	3000 (207)											
BV□□-NS12-10-3	3/4 Male NPT	6000 (414)	3000 (207)											

Angle Pattern Valves



Basic Ordering Number	Connection Type and Size	Pressure Rating of End Connections @ 100°F (38°C), psig (bar)		Orifice in. (mm)	Cv	Dimension, in. (mm)														
		SS	Brass			B	C	D	E	F	G	H	I							
BV□□-FL1-01-A	1/16" FITOK	6000 (414)	3000 (207)	0.05 (1.3)	0.06	1.30 (33.0)	1.35 (34.3)													
BV□□-FL2-02-A	1/8" FITOK	6000 (414)	3000 (207)	0.09 (2.4)	0.21	1.36 (34.5)	1.41 (35.8)													
BV□□-ML3-02-A	3 mm FITOK	6000 (414)	3000 (207)			1.37 (34.8)	1.42 (36.1)													
BV□□-FRT2-04-A	1/8 Female BSPT	6000 (414)	3000 (207)			1.07 (27.2)	1.12 (28.5)													
BV□□-FRP2-04-A	1/8 Female BSPP	6000 (414)	3000 (207)	0.12 (3.0)	0.28			0.33 (8.5)	0.94 (23.9)	0.79 (20.0)	1.97 (50.0)	0.58 (14.7)	0.18 (4.6)							
BV□□-FNS2-04-A	1/8 Female NPT	6000 (414)	3000 (207)			1.18 (30.0)	1.23 (31.3)													
BV□□-RT2-04-A	1/8 Male BSPT	6000 (414)	3000 (207)			1.18 (30.0)	1.23 (31.3)													
BV□□-BP2-04-A	1/8 Male BSPP	6000 (414)	3000 (207)			1.18 (30.0)	1.23 (31.3)													
BV□□-NS2-04-A	1/8 Male NPT	6000 (414)	3000 (207)			1.18 (30.0)	1.23 (31.3)													
BV□□-RT4-04-A	1/4 Male BSPT	6000 (414)	3000 (207)			1.18 (30.0)	1.23 (31.3)													
BV□□-BP4-04-A	1/4 Male BSPP	6000 (414)	3000 (207)			1.18 (30.0)	1.23 (31.3)													
BV□□-NS4-04-A	1/4 Male NPT	6000 (414)	3000 (207)			1.18 (30.0)	1.23 (31.3)													
BV□□-FL4-05-A	1/4" FITOK	6000 (414)	3000 (207)			1.74 (44.2)	1.88 (47.7)													
BV□□-ML6-05-A	6 mm FITOK	6000 (414)	3000 (207)			1.75 (44.5)	1.89 (48.0)													
BV□□-FL6-06-A	3/8" FITOK	6000 (414)	2200 (152)	1.80 (45.7)	1.94 (49.2)															
BV□□-ML8-06-A	8 mm FITOK	6000 (414)	2300 (159)	1.78 (45.2)	1.92 (48.7)															
BV□□-ML10-06-A	10 mm FITOK	6000 (414)	1900 (131)	1.81 (46.0)	1.95 (49.5)															
BV□□-FRT4-06-A	1/4 Female BSPT	6000 (414)	3000 (207)	0.19 (4.7)	0.70	1.51 (38.4)	1.65 (41.9)	0.48 (12.2)	1.24 (31.5)	0.59 (25.0)	2.64 (67.0)	0.77 (19.6)	0.25 (6.4)							
BV□□-FRP4-06-A	1/4 Female BSPP	6000 (414)	3000 (207)			1.51 (38.4)	1.65 (41.9)													
BV□□-FNS4-06-A	1/4 Female NPT	6000 (414)	3000 (207)			1.51 (38.4)	1.65 (41.9)													
BV□□-RT4-06-A	1/4 Male BSPT	6000 (414)	3000 (207)			1.51 (38.4)	1.65 (41.9)													
Bv□□-BP4-06-A	1/4 Male BSPP	6000 (414)	3000 (207)			1.51 (38.4)	1.65 (41.9)													
BV□□-NS4-06-A	1/4 Male NPT	6000 (414)	3000 (207)			1.51 (38.4)	1.65 (41.9)													
BV□□-RT6-06-A	3/8 Male BSPT	6000 (414)	3000 (207)			1.62 (41.1)	1.76 (44.6)													
BV□□-BP6-06-A	3/8 Male BSPP	6000 (414)	3000 (207)			1.62 (41.1)	1.76 (44.6)													
BV□□-NS6-06-A	3/8 Male NPT	6000 (414)	3000 (207)			1.62 (41.1)	1.76 (44.6)													

Basic Ordering Number	Connection Type and Size	Pressure Rating of End Connections @ 100°F (38°C), psig (bar)		Orifice in. (mm)	Cv	Dimension, in. (mm)							
		SS	Brass			B	C	D	E	F	G	H	I
BV□□-FL8-10-A	1/2" FITOK	6000 (414)	2100 (145)	0.37 (9.5)	3.48	2.34(59.4)	2.68(68.1)	0.71 (18.0)	1.54 (39.0)	1.42 (36.0)	3.78 (96.0)	0.90 (22.9)	0.38 (9.7)
BV□□-FL12-10-A	3/4" FITOK	5800 (400)	1800 (124)			2.33 (59.2)	2.67 (67.9)						
BV□□-ML12-10-A	12 mm FITOK	6000 (414)	2000 (138)			2.42 (61.5)	2.76 (70.2)						
BV□□-ML14-10-A	14 mm FITOK	6000 (414)	1900 (131)										
BV□□-ML16-10-A	16 mm FITOK	5800 (400)	1700 (117)			1.95 (49.5)	2.29 (58.2)						
BV□□-ML18-10-A	18 mm FITOK	5400 (372)	1600 (110)										
BV□□-ML20-10-A	20 mm FITOK	5500 (379)	1600 (110)			2.15 (54.6)	2.49 (63.3)						
BV□□-ML22-10-A	22 mm FITOK	4900 (338)	1450 (100)										
BV□□-FRT6-10-A	3/8 Female BSPT	6000 (414)	3000 (207)			2.25 (57.1)	2.59 (65.8)						
BV□□-FRP6-10-A	3/8 Female BSPP	6000 (414)	3000 (207)										
BV□□-FNS6-10-A	3/8 Female NPT	6000 (414)	3000 (207)			2.22 (56.4)	2.56 (65.1)						
BV□□-FRT8-10-A	1/2 Female BSPT	6000 (414)	3000 (207)										
BV□□-FRP8-10-A	1/2 Female BSPP	6000 (414)	3000 (207)			2.25 (57.1)	2.59 (65.8)						
BV□□-FNS8-10-A	1/2 Female NPT	6000 (414)	3000 (207)										
BV□□-FRT12-10-A	3/4 Female BSPT	6000 (414)	3000 (207)			2.22 (56.4)	2.56 (65.1)						
BV□□-FRP12-10-A	3/4 Female BSPP	6000 (414)	3000 (207)										
BV□□-FNS12-10-A	3/4 Female NPT	6000 (414)	3000 (207)			2.22 (56.4)	2.56 (65.1)						
BV□□-RT8-10-A	1/2 Male BSPT	6000 (414)	3000 (207)										
BV□□-BP8-10-A	1/2 Male BSPP	6000 (414)	3000 (207)			2.22 (56.4)	2.56 (65.1)						
BV□□-NS8-10-A	1/2 Male NPT	6000 (414)	3000 (207)										
BV□□-RT12-10-A	3/4 Male BSPT	6000 (414)	3000 (207)	2.22 (56.4)	2.56 (65.1)								
BV□□-BP12-10-A	3/4 Male BSPP	6000 (414)	3000 (207)										
BV□□-NS12-10-A	3/4 Male NPT	6000 (414)	3000 (207)	2.22 (56.4)	2.56 (65.1)								

1. FITOK means FITOK double ferrule tube fittings.

2. Sizes and types listed are standard. Other sizes and types are available upon request.

3. Dimensions are shown with FITOK nuts finger-tightened. All dimensions are for reference only and are subject to change.

For dimensions not shown above, please contact the authorized representative or FITOK Group.

Part Number Description

BVSS - FL8 - ML12 - ML10 - P06V - RXHQ3 - SF2

Series	Body Material	Connection 1 Type	Connection 1 Size	Connection 2/3 Type	Connection 2/3 Size	Seat Material	Orifice Size	Packing Material	Handle/ Actuator	For Actuator	Flow Pattern	Special Application	Cleaning and Packaging
BV	SS CF8M	FNS Female NPT	2 1/8"	2 1/8"	Same as Connection 1	PTFE	02 0.09" (2.4 mm)	PTFE	Black Nylon	NO	NO	Straight	No
	6L CF3M	NS Male NPT	3 3 mm	3 3 mm	Specify in the same way as the Connection 1 type and size	K PCTFE	03 0.13" (3.2 mm)	B Buna N	Red Nylon	H Mechanical Limit Switch	A	Angle (Bottom Port Inlet)	NACE S MR0175
	S4 CF8	FRT Female BSPT	4 1/4"	4 1/4"		P PEEK	04 0.17" (4.2 mm)	N Neoprene	Green Nylon	N Inductive Limit Switch	3	3-Way (Diverter Valve)	FC-01
	B Brass	RT Male BSPT	5 5/16"	5 5/16"			05 0.19" (4.7 mm)	V Fluorocarbon FKM	Blue Nylon	Q Electromagnetic Valve			F2 FC-02
	904L 904L SS	FMS Female Metric Thread (for RG)	6 3/8" or 6 mm or M6 x 1	6 3/8" or 6 mm or M6 x 1			06 0.25" (6.4 mm)		Yellow Nylon	HQ Mechanical Limit Switch and Electromagnetic Valve			
		MS Male Metric Thread (for RG)	8 1/2" or 8 mm	8 1/2" or 8 mm			10 0.41" (10.3 mm)		Black Aluminium	NQ Inductive Limit Switch and Electromagnetic Valve			
		FRP Female BSPP (For RP)	10 10 mm or M10 x 1	10 10 mm or M10 x 1					90° Normally Closed Spring Return Pneumatic Actuator	CS			
		BP Male BSPP (For RG)	12 3/4" or 12 mm	12 3/4" or 12 mm					90° Normally Open Spring Return Pneumatic Actuator	OS			
		FL Fractional Tube Fitting	14 14 mm or M14 x 1.5	14 14 mm or M14 x 1.5					90° Double Acting Pneumatic Actuator	DA			
		ML Metric Tube Fitting	16 16 mm	16 16 mm					180° Left end normally open spring return pneumatic actuator	LX			
		UFB British Tube Pipe union joint butt welding	18 18 mm	18 18 mm					180° Right end normally open spring return pneumatic actuator	RX			
		UMB Metric Tube Pipe union joint butt welding	20 20 mm or M20 x 1.5	20 20 mm or M20 x 1.5					180° Double Acting Pneumatic Actuator	DX			
		UPB Then live Pipe pipe butt welding	22 22 mm or M22 x 1.5	22 22 mm or M22 x 1.5					90° Electric Actuator	EA			
			24 M24 x 1.5	24 M24 x 1.5					180° Electric Actuator	EX			

Note: Most configurations are available but not everyone. If any questions, please contact FITOK group or our authorized distributors.

1. Standard thread pitch for metric threads are as follows:
 M12 and below: 1 mm
 M12 to M24: 1.5 mm
 Standard thread pitch should be ignored in the ordering number, others should be specified.

2. For information about pneumatic and electric actuator, please contact the authorized representative or FITOK Group.

3. For oxygen or virulent medium service, contact the authorized representative or FITOK Group.

4. Cleaning and Packaging:
 FC-01: Standard cleaning and packaging for general industrial procedures.
 FC-02: Special cleaning and packaging for wetted system components to ensure compliance with product cleaning requirement of ASTM G93 Level C.