

VA Series Vacuum Adapter Fittings



FITOK

Contents

KF Adapter Fittings

KF to Female NPT
KF to Male NPT
KF to CF Flange Conical Reducing
KF to Tube Fitting
KF to CF Flange Straight Reducing
KF to Rotatable Male FR Metal Gasket Face Seal Fitting
KF to Vacuum Tube Fitting
KF to Female FR Metal Gasket Face Seal Fitting

01

CF Adapter Fittings

CF to Female FR Metal Gasket Face Seal Fitting
CF to Vacuum Tube Fitting
CF to Rotatable Male FR Metal Gasket Face Seal Fitting
CF to Tube Fitting

06

Other Adapter Fittings

BSPT Adapter

07

Features

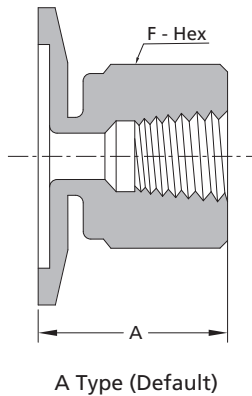
- ⦿ Vacuum Range:
 - Copper Seal: $\geq 10^{-12}$ Torr
 - Elastomeric Seal: $\geq 10^{-8}$ Torr
- ⦿ Working temperature:
 - Copper Seal: -325°F to 842°F (-200°C to 450°C)
 - Elastomeric Seal: -4°F to 302°F (-20°C to 150°C)
- ⦿ Materials:
 - 304, 304L, 316, 316L or Aluminum

Applications

Adapter Vacuum products are generally used on vacuum chamber ports to connect vacuum flanges to various fittings.

KF Adapter Fittings

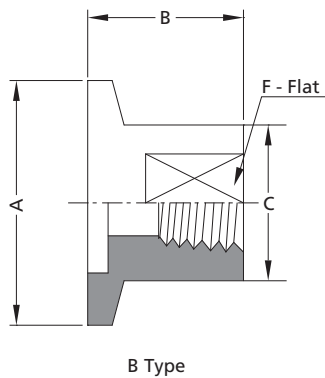
KF to Female NPT



Pipe Size in.	Flange Size	Basic Ordering Number (For A Type)	A in. (mm)	F in. (mm)
1/8	KF10	-VA-KF10-FNS2	0.92(23.4)	9/16(14.3)
	KF16	-VA-KF16-FNS2		
	KF25	-VA-KF25-FNS2		
	KF40	-VA-KF40-FNS2		
	KF50	-VA-KF50-FNS2		
1/4	KF10	-VA-KF10-FNS4	1.07(27.2)	3/4(19.1)
	KF16	-VA-KF16-FNS4		
	KF25	-VA-KF25-FNS4		
	KF40	-VA-KF40-FNS4		
	KF50	-VA-KF50-FNS4		
1/2	KF16	-VA-KF16-FNS8	1.44(36.6)	1 1/16(27.0)
	KF25	-VA-KF25-FNS8	1.39(35.3)	
	KF40	-VA-KF40-FNS8		
	KF50	-VA-KF50-FNS8		
3/4	KF25	-VA-KF25-FNS12	1.45(36.8)	1 5/16(33.3)
	KF40	-VA-KF40-FNS12		
	KF50	-VA-KF50-FNS12		
1	KF25	-VA-KF25-FNS16	1.57(39.9)	1 5/8(41.3)
	KF40	-VA-KF40-FNS16		
	KF50	-VA-KF50-FNS16		

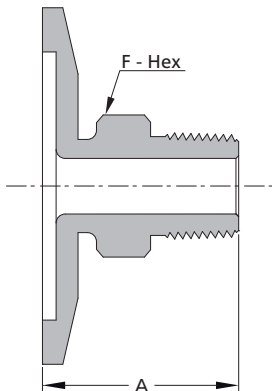
2 VA Series Vacuum Adapter Fittings

KF to Female NPT



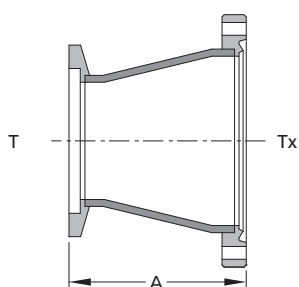
Pipe Size in.	Flange Size	Basic Ordering Number (For B Type)	A in.(mm)	B in.(mm)	C in.(mm)	F in.(mm)
1/8	KF10	-VA-KF10-FNS2-N	1.18(30.0)	0.75(19.1)	0.75(19.1)	0.63(16.0)
1/4		-VA-KF10-FNS4-N	1.18(30.0)	0.75(19.1)	0.75(19.1)	0.63(16.0)
1/8	KF16	-VA-KF16-FNS2-N	1.18(30.0)	0.75(19.1)	0.75(19.1)	0.63(16.0)
1/4		-VA-KF16-FNS4-N	1.18(30.0)	0.75(19.1)	0.75(19.1)	0.63(16.0)
1/8	KF25	-VA-KF25-FNS2-N	1.57(40.0)	0.75(19.1)	1.00(25.4)	0.87(22.0)
1/4		-VA-KF25-FNS4-N	1.57(40.0)	0.75(19.1)	1.00(25.4)	0.87(22.0)
1/2		-VA-KF25-FNS8-N	1.57(40.0)	1.00(25.4)	1.10(27.8)	0.94(24.0)
1/8	KF40	-VA-KF40-FNS2-N	2.17(55.0)	1.00(25.4)	1.50(38.1)	1.26(32.0)
1/4		-VA-KF40-FNS4-N	2.17(55.0)	1.00(25.4)	1.50(38.1)	1.26(32.0)
1/2		-VA-KF40-FNS8-N	2.17(55.0)	1.00(25.4)	1.50(38.1)	1.26(32.0)
3/4		-VA-KF40-FNS12-N	2.17(55.0)	1.00(25.4)	1.63(41.3)	1.34(34.0)
1/8	KF50	-VA-KF50-FNS2-N	2.92(75.0)	1.00(25.4)	2.00(50.8)	1.73(44.0)
1/4		-VA-KF50-FNS4-N	2.92(75.0)	1.00(25.4)	2.00(50.8)	1.73(44.0)
1/2		-VA-KF50-FNS8-N	2.92(75.0)	1.00(25.4)	2.00(50.8)	1.73(44.0)
3/4		-VA-KF50-FNS12-N	2.92(75.0)	1.00(25.4)	2.00(50.8)	1.73(44.0)

KF to Male NPT



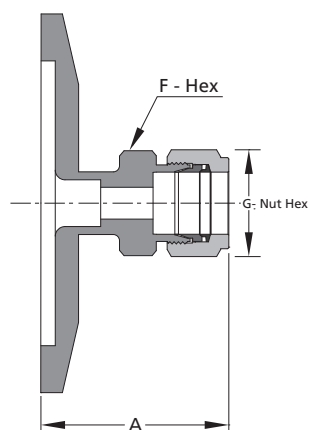
Pipe Size in.	Flange Size	Basic Ordering Number	A in.(mm)	F in.(mm)
1/8	KF10	-VA-KF10-NS2	0.89(22.6)	7/16(11.1)
	KF16	-VA-KF16-NS2		
	KF25	-VA-KF25-NS2		
	KF40	-VA-KF40-NS2		
	KF50	-VA-KF50-NS2		
1/4	KF10	-VA-KF10-NS4	1.10(27.9)	9/16(14.3)
	KF16	-VA-KF16-NS4		
	KF25	-VA-KF25-NS4		
	KF40	-VA-KF40-NS4		
	KF50	-VA-KF50-NS4		
1/2	KF16	-VA-KF16-NS8	1.35(34.3)	7/8(22.2)
	KF25	-VA-KF25-NS8		
	KF40	-VA-KF40-NS8		
	KF50	-VA-KF50-NS8		
3/4	KF25	-VA-KF25-NS12	1.35(34.3)	1 1/16(27.0)
	KF40	-VA-KF40-NS12		
	KF50	-VA-KF50-NS12		
1	KF25	-VA-KF25-NS16	1.64(41.7)	1 3/8(34.9)
	KF40	-VA-KF40-NS16		
	KF50	-VA-KF50-NS16		

KF to CF Flange Conical Reducing



Flange Size	Tube OD in.		Basic Ordering Number	A in.(mm)
	T	Tx		
KF16-CF212	3/4	1/2	-VA-KF16-CF212-NCR	1.69(42.9)
KF16-CF275	3/4	1/2	-VA-KF16-CF275-NCR	2.73(69.3)
KF25-CF212	1	3/4	-VA-KF25-CF212-NCR	2.03(51.6)
KF25-CF275	1	3/4	-VA-KF25-CF275-NCR	2.73(69.3)
KF25-CF338	1	3/4	-VA-KF25-CF338-NCR	2.75(69.9)
KF40-CF133	1	3/4	-VA-KF40-CF133-NCR	3.03(77.0)
KF40-CF212	1 1/2	1	-VA-KF40-CF212-NCR	2.69(68.3)
KF40-CF338	1 1/2	1	-VA-KF40-CF338-NCR	2.75(69.9)
KF40-CF450	1 1/2	1	-VA-KF40-CF450-NCR	2.90(73.7)
KF40-CF462	1 1/2	1	-VA-KF40-CF462-NCR	4.06(103.1)
KF50-CF212	2	1	-VA-KF50-CF212-NCR	2.69(68.3)
KF50-CF275	2	1 1/2	-VA-KF50-CF275-NCR	2.73(69.3)
KF50-CF450	2	1 1/2	-VA-KF50-CF450-NCR	2.90(73.7)
KF50-CF462	2	1 1/2	-VA-KF50-CF462-NCR	4.06(103.1)
KF50-CF600	2	1 1/2	-VA-KF50-CF600-NCR	4.21(106.9)

KF to Tube Fitting

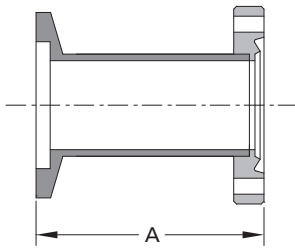


Tube OD in.	Flange Size	Basic Ordering Number	A in.(mm)	F in.(mm)	G in.(mm)
1/4	KF10	-VA-KF10-FL4	1.47(37.3)	1/2(12.7)	9/16(14.3)
	KF16	-VA-KF16-FL4			
	KF25	-VA-KF25-FL4			
	KF40	-VA-KF40-FL4			
	KF50	-VA-KF50-FL4			
3/8	KF10	-VA-KF10-FL6	1.63(41.4)	5/8(15.9)	11/16(17.5)
	KF16	-VA-KF16-FL6			
	KF25	-VA-KF25-FL6			
	KF40	-VA-KF40-FL6			
	KF50	-VA-KF50-FL6			
1/2	KF25	-VA-KF25-FL8	1.77(45.0)	13/16(20.6)	7/8(22.2)
	KF40	-VA-KF40-FL8			
	KF50	-VA-KF50-FL8			
3/4	KF25	-VA-KF25-FL12	2.14(54.4)	1 1/16(27.0)	1 1/8(28.6)
	KF40	-VA-KF40-FL12			
	KF50	-VA-KF50-FL12			
1	KF25	-VA-KF25-FL16	2.60(66.0)	1 3/8(34.9)	1 1/2(38.1)
	KF40	-VA-KF40-FL16			
	KF50	-VA-KF50-FL16			

*To order straight fittings bored through, add T to the ordering number, eg:SS-TVA-KF25-FL4.

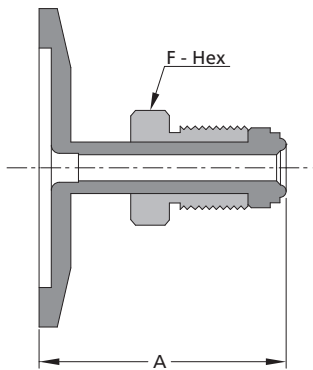
4 VA Series Vacuum Adapter Fittings

KF to CF Flange Straight Reducing



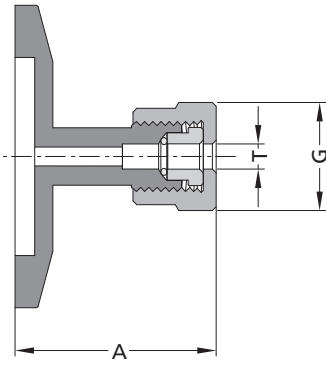
Flange Size	Tube OD in.	Basic Ordering Number	A in.(mm)
KF10-CF133	1/2	-VA-KF10-CF133-SR	1.75(44.5)
KF16-CF133	3/4	-VA-KF16-CF133-SR	1.75(44.5)
KF16-CF275	3/4	-VA-KF16-CF275-SR	1.78(45.2)
KF25-CF212	1	-VA-KF25-CF212-SR	1.75(44.5)
KF25-CF275	1	-VA-KF25-CF275-SR	1.78(45.2)
KF40-CF275	1 1/2	-VA-KF40-CF275-SR	1.78(45.2)
KF40-CF338	1 1/2	-VA-KF40-CF338-SR	1.80(45.7)
KF50-CF133	3/4	-VA-KF50-CF133-SR	1.95(49.5)
KF50-CF275	1 1/2	-VA-KF50-CF275-SR	1.95(49.5)
KF50-CF338	2	-VA-KF50-CF338-SR	1.80(45.7)
KF50-CF450	2	-VA-KF50-CF450-SR	1.95(49.5)

KF to Rotatable Male FR Metal Gasket Face Seal Fitting



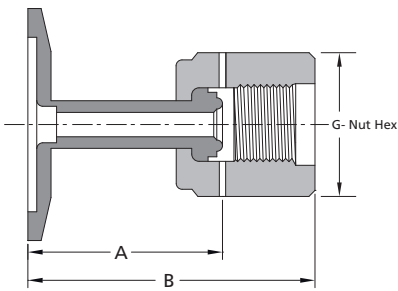
FR Size in.	Flange Size	Basic Ordering Number	A in.(mm)	F in.(mm)
1/4	KF10	-VA-KF10-RFR4	1.46(37.1)	5/8(15.9)
	KF16	-VA-KF16-RFR4		
	KF25	-VA-KF25-RFR4		
	KF40	-VA-KF40-RFR4		
	KF50	-VA-KF50-RFR4		
3/8	KF16	-VA-KF16-RFR6	1.65(41.9)	11/16(17.5)
	KF25	-VA-KF25-RFR6	1.55(39.4)	
	KF40	-VA-KF40-RFR6		
	KF50	-VA-KF50-RFR6		
1/2	KF16	-VA-KF16-RFR8	1.65(41.9)	15/16(23.8)
	KF25	-VA-KF25-RFR8	1.55(39.4)	
	KF40	-VA-KF40-RFR8		
	KF50	-VA-KF50-RFR8		
3/4	KF25	-VA-KF25-RFR12	2.15(54.6)	1 5/16(33.3)
	KF40	-VA-KF40-RFR12	2.05(52.1)	
	KF50	-VA-KF50-RFR12		
1	KF25	-VA-KF25-RFR16	2.26(57.4)	1 5/8(41.3)
	KF40	-VA-KF40-RFR16		
	KF50	-VA-KF50-RFR16		

KF to Vacuum Tube Fitting



T-Tube OD in.	Flange Size	Basic Ordering Number	A in.(mm)	G in.(mm)
1/4	KF10	-VA-KF10-VL4	1.48(37.6)	11/16(17.5)
3/8		-VA-KF10-VL6	1.62(41.1)	13/16(20.6)
1/4	KF16	-VA-KF16-VL4	1.48(37.6)	11/16(17.5)
3/8		-VA-KF16-VL6	1.62(41.1)	13/16(20.6)
1/2		-VA-KF16-VL8	1.79(45.5)	15/16(23.8)
1/4	KF25	-VA-KF25-VL4	1.48(37.6)	11/16(17.5)
3/8		-VA-KF25-VL6	1.62(41.1)	13/16(20.6)
1/2		-VA-KF25-VL8	1.79(45.5)	15/16(23.8)
3/4		-VA-KF25-VL12	1.93(49.0)	1 1/4(31.8)
1/4	KF40	-VA-KF40-VL4	1.48(37.6)	11/16(17.5)
3/8		-VA-KF40-VL6	1.62(41.1)	13/16(20.6)
1/2		-VA-KF40-VL8	1.79(45.5)	15/16(23.8)
3/4		-VA-KF40-VL12	1.93(49.0)	1 1/4(31.8)
1		-VA-KF40-VL16	1.95(49.5)	1 9/16(39.7)
1/4	KF50	-VA-KF50-VL4	1.48(37.6)	11/16(17.5)
3/8		-VA-KF50-VL6	1.62(41.1)	13/16(20.6)
1/2		-VA-KF50-VL8	1.79(45.5)	15/16(23.8)
3/4		-VA-KF50-VL12	1.93(49.0)	1 1/4(31.8)
1		-VA-KF50-VL16	1.95(49.5)	1 9/16(39.7)

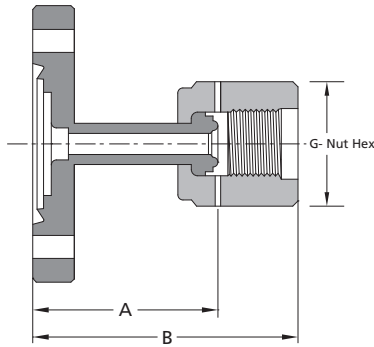
KF to Female FR Metal Gasket Face Seal Fitting



FR Size in.	Flange Size	Basic Ordering Number	A in.(mm)	B in.(mm)	G in.(mm)
1/4	KF10	-VA-KF10-FFR4	1.46(37.1)	1.96(49.8)	3/4(19.1)
	KF16	-VA-KF16-FFR4			
	KF25	-VA-KF25-FFR4			
	KF40	-VA-KF40-FFR4			
	KF50	-VA-KF50-FFR4			
1/2	KF16	-VA-KF16-FFR8	1.65(41.9)	2.21(56.1)	1 1/16(27.0)
	KF25	-VA-KF25-FFR8			
	KF40	-VA-KF40-FFR8			
	KF50	-VA-KF50-FFR8			

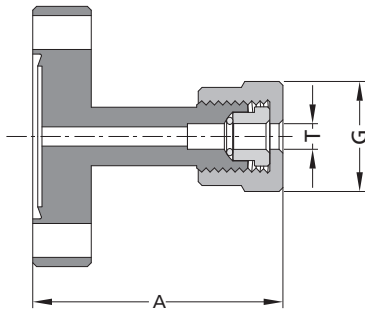
CF Adapter Fittings

CF to Female FR Metal Gasket Face Seal Fitting



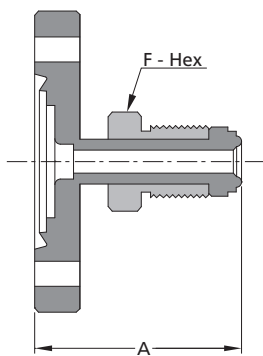
FR Size in.	Flange Size	Basic Ordering Number	A in.(mm)	B in.(mm)	G in.(mm)
1/4	CF133	-VA-CF133-FFR4	1.36(34.5)	1.86(47.2)	3/4(19.1)
1/2		-VA-CF133-FFR8	1.55(39.4)	2.11(53.6)	1 1/16(27.0)
1/4	CF275	-VA-CF275-FFR4	1.36(34.5)	1.86(47.2)	3/4(19.1)
1/2		-VA-CF275-FFR8	1.55(39.4)	2.11(53.6)	1 1/16(27.0)

CF to Vacuum Tube Fitting



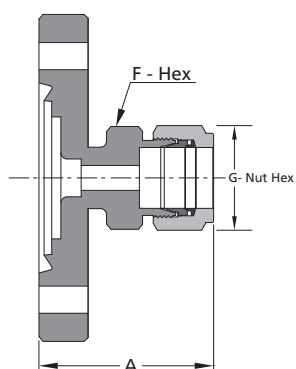
T-Tube OD in.	Flange Size	Basic Ordering Number	A in.(mm)	G in.(mm)
1/4	CF133	-VA-CF133-VL4	1.38(34.9)	11/16(17.5)
3/8		-VA-CF133-VL6	1.38(34.9)	13/16(20.6)
1/2		-VA-CF133-VL8	1.44(36.5)	15/16(23.8)
5/8		-VA-CF133-VL10	1.69(42.9)	1 1/8(28.6)
1/4	CF275	-VA-CF275-VL4	1.38(34.9)	11/16(17.5)
3/8		-VA-CF275-VL6	1.38(34.9)	13/16(20.6)
1/2		-VA-CF275-VL8	1.44(36.5)	15/16(23.8)
5/8		-VA-CF275-VL10	1.75(44.5)	1 1/8(28.6)
3/4		-VA-CF275-VL12	1.88(47.6)	1 1/4(31.8)
1		-VA-CF275-VL16	2.13(54.0)	1 9/16(39.7)

CF to Rotatable Male FR Metal Gasket Face Seal Fitting



FR Size in.	Flange Size	Basic Ordering Number	A in.(mm)	F in.(mm)
1/4	CF133	-VA-CF133-RFR4	1.36(34.5)	5/8(15.9)
1/2		-VA-CF133-RFR8	1.55(39.4)	15/16(23.8)
1/4	CF275	-VA-CF275-RFR4	1.36(34.5)	5/8(15.9)
1/2		-VA-CF275-RFR8	1.55(39.4)	15/16(23.8)

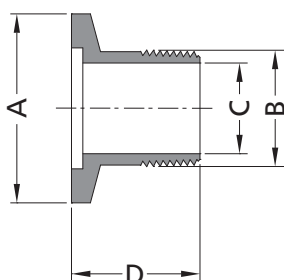
CF to Tube Fitting



Tube OD in.	Flange Size	Basic Ordering Number	A in.(mm)	F in.(mm)	G in.(mm)
1/4	CF133	-VA-CF133-FL4	1.37(34.8)	1/2(12.7)	9/16(14.3)
3/8		-VA-CF133-FL6	1.58(40.1)	5/8(15.9)	11/16(17.5)
1/4	CF275	-VA-CF275-FL4	1.57(39.9)	1/2(12.7)	9/16(14.3)
3/8		-VA-CF275-FL6	1.73(43.9)	5/8(15.9)	11/16(17.5)

Other Adapter Fittings

Male ISO Tapered Thread



Flange Size	Basic Ordering Number	A in.(mm)	B in.(mm)	C in.(mm)	D in.(mm)	BSPT
KF10	-VA-KF10-RT4	1.18(30.0)	0.52(13.16)	0.35(9.0)	1.18 (30.0)	1/4" x 19 BSPT
	-VA-KF10-RT6	1.18(30.0)	0.66(16.66)	0.39(10.0)		3/8" x 19 BSPT
KF16	-VA-KF16-RT8	1.18(30.0)	0.83(20.96)	0.63(16.0)		1/2" x 14 BSPT
KF25	-VA-KF25-RT12	1.57(40.0)	1.04(26.44)	0.79(20.0)		3/4" x 14 BSPT
	-VA-KF25-RT16	1.57(40.0)	1.31(33.25)	0.94(24.0)		1" x 11 BSPT
KF40	-VA-KF40-RT20	2.17(55.0)	1.65(41.91)	1.38(35.0)		1 1/4" x 11 BSPT
	-VA-KF40-RT24	2.17(55.0)	1.88(47.8)	1.61(41.0)		1 1/2" x 11 BSPT
KF50	-VA-KF50-RT32	2.95(75.0)	2.35(59.61)	2.00(51.0)		2" x 11 BSPT

- ⊙ For details about fittings not listed, please contact us.
- ⊙ The performance of the adapter fitting is determined by the lower performing end connection.

info@fitokgroup.com
www.fitokgroup.com

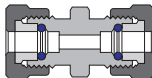
FK-IC-GF-09-EN-150507

VL Series Vacuum Tube Fittings



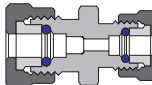
Contents

Unions - U



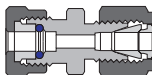
A-106

Reducing Unions - U



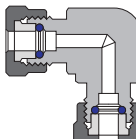
A-107

Tube Fitting Unions - U



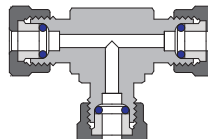
A-107

Union Elbows - LU



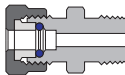
A-107

Union Tees - TTT



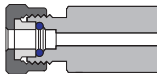
A-107

Male Connectors - CM



A-107

Adapters - CW



A-108

Nuts - N



A-108

O-rings - VI7



A-108

VL Series

Features

- Stainless steel construction, fluorocarbon FKM O-ring
- Available in tube sizes from 1/16" to 1 1/2"
- Working temperature: -25°F to 400°F (-31°C to 204°C)
- Knurled nut for easy, finger-tight assembly
- Reliable, repeatable sealing performance

Testing

- The VL vacuum fitting design has been helium leak tested to a maximum leak rate of 4×10^{-9} std cm³/s at ambient temperature.
- The leak rate increases as temperature increases due to permeation through the O-ring.

Cleaning and Packaging

- VL vacuum fittings meet the requirements of FITOK Standard Cleaning and Packaging.
- VL vacuum fittings are cleaned to remove machine oil, grease and loose particles.

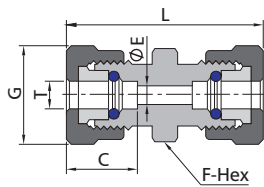
Ordering Information

- The E dimension refers to the smallest nominal inside diameter of the part.
- To order straight fittings bored through, insert T to the ordering number.

Example: SS-TU-VL6
SS-TCM-VL8

Dimensions

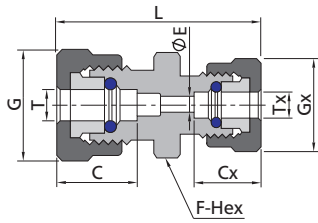
Unions



T-Tube O.D. (in.)	Ordering Number	Dimensions, in. (mm)				
		L	C	E	G	F
1/16	SS-U-VL1	1.23 (31.2)	0.43 (10.9)	0.05 (1.3)	3/8	3/8 (9.5)
1/8	SS-U-VL2	1.40 (35.6)	0.43 (10.9)	0.09 (2.3)	9/16	1/2 (12.7)
1/4	SS-U-VL4	1.63 (41.4)	0.62 (15.7)	0.18 (4.6)	11/16	5/8 (15.9)
3/8	SS-U-VL6	1.81 (46.0)	0.66 (16.8)	0.28 (7.1)	13/16	3/4 (19.1)
1/2	SS-U-VL8	1.84 (46.7)	0.80 (20.3)	0.40 (10.2)	15/16	7/8 (22.2)
5/8	SS-U-VL10	1.84 (46.7)	0.84 (21.3)	0.50 (12.7)	1 1/8	1 1/16 (27.0)
3/4	SS-U-VL12	2.05 (52.1)	0.94 (23.9)	0.62 (15.7)	1 1/4	1 3/16 (30.1)
1	SS-U-VL16	2.15 (54.6)	0.94 (23.9)	0.87 (22.1)	1 9/16	1 1/2 (38.1)
1 1/2	SS-U-VL24	2.27 (57.6)	0.94 (23.9)	1.38 (35.1)	2 1/16	2 1/8 (54.0)

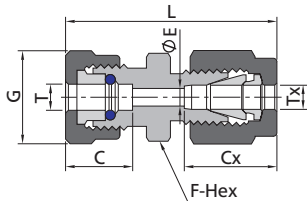
Dimensions are for reference only and are subject to change.

Reducing Unions



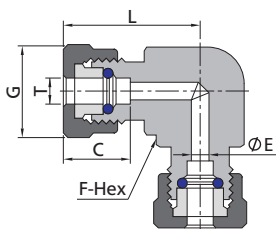
T-Tube O.D. (in.)	Tx-Tube O.D. (in.)	Ordering Number	Dimensions, in. (mm)						
			L	C	Cx	E	G	Gx	F
3/8	1/4	SS-U-VL6-VL4	1.72 (43.7)	0.66 (16.8)	0.62 (15.7)	0.18 (4.6)	13/16	11/16	3/4 (19.1)
1/2	1/4	SS-U-VL8-VL4	1.75 (44.4)	0.80 (20.3)	0.62 (15.7)	0.18 (4.6)	15/16	11/16	7/8 (22.2)

Tube Fitting Unions



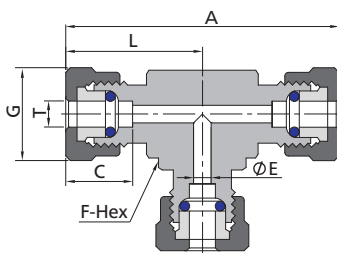
T-Tube O.D. (in.)	Tx-Tube O.D. (in.)	Ordering Number	Dimensions, in. (mm)						
			L	C	Cx	E	G	F	
1/4	1/4	SS-U-VL4-FL4	1.66 (42.2)	0.62 (15.7)	0.60 (15.2)	0.18 (4.6)	11/16	5/8 (15.9)	
3/8	3/8	SS-U-VL6-FL6	1.81 (46.0)	0.66 (16.8)	0.66 (16.8)	0.28 (7.1)	13/16	3/4 (19.1)	
1/2	1/2	SS-U-VL8-FL8	1.95 (49.5)	0.80 (20.3)	0.90 (22.9)	0.40 (10.2)	15/16	7/8 (22.2)	

Union Elbows



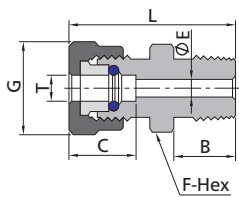
T-Tube O.D. (in.)	Ordering Number	Dimensions, in. (mm)				
		L	C	E	G	F
1/4	SS-LU-VL4	1.14 (29.0)	0.62 (15.7)	0.18 (4.6)	11/16	1/2 (12.7)
3/8	SS-LU-VL6	1.36 (34.5)	0.66 (16.8)	0.28 (7.1)	13/16	11/16 (17.5)
1/2	SS-LU-VL8	1.36 (34.5)	0.80 (20.3)	0.40 (10.2)	15/16	13/16 (20.6)

Union Tees



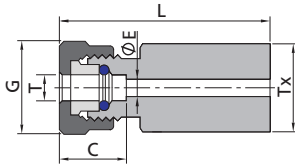
T-Tube O.D. (in.)	Ordering Number	Dimensions, in. (mm)					
		A	L	C	E	G	F
1/8	SS-TTT-VL2	2.12 (53.8)	1.06 (26.9)	0.43 (10.9)	0.09 (2.3)	9/16	1/2 (12.7)
1/4	SS-TTT-VL4	2.30 (58.4)	1.15 (29.2)	0.62 (15.7)	0.18 (4.6)	11/16	1/2 (12.7)
3/8	SS-TTT-VL6	2.72 (69.1)	1.36 (34.5)	0.66 (16.8)	0.28 (7.1)	13/16	11/16 (17.5)
1/2	SS-TTT-VL8	2.72 (69.1)	1.36 (34.5)	0.80 (20.3)	0.40 (10.2)	15/16	11/16 (17.5)
3/4	SS-TTT-VL12	3.30 (83.8)	1.65 (41.9)	0.94 (23.9)	0.62 (15.7)	1 1/4	15/16 (23.8)
1	SS-TTT-VL16	3.64 (92.4)	1.82 (46.2)	0.94 (23.9)	0.87 (22.1)	1 9/16	1 1/4 (31.8)

Male Connectors



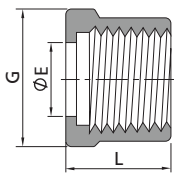
Tube O.D. (in.)	NPT Size in.	Ordering Number	Dimensions, in. (mm)					
			L	C	B	E	G	F
1/16	1/8	SS-CM-VL1-NS2	1.12 (28.4)	0.43 (10.9)	0.38 (9.6)	0.05 (1.3)	3/8	7/16 (11.1)
1/8	1/8	SS-CM-VL2-NS2	1.22 (31.0)	0.43 (10.9)	0.38 (9.6)	0.09 (2.3)	9/16	1/2 (12.7)
1/4	1/8	SS-CM-VL4-NS2	1.35 (34.3)	0.62 (15.7)	0.38 (9.6)	0.18 (4.6)	11/16	5/8 (15.9)
1/4	1/4	SS-CM-VL4-NS4	1.53 (38.9)	0.62 (15.7)	0.56 (14.2)	0.18 (4.6)	11/16	5/8 (15.9)
3/8	1/8	SS-CM-VL6-NS2	1.44 (36.6)	0.66 (16.8)	0.38 (9.6)	0.18 (4.6)	13/16	3/4 (19.1)
3/8	1/4	SS-CM-VL6-NS4	1.62 (41.1)	0.66 (16.8)	0.56 (14.2)	0.28 (7.1)	13/16	3/4 (19.1)
1/2	3/8	SS-CM-VL8-NS6	1.65 (41.9)	0.80 (20.3)	0.56 (14.2)	0.40 (10.2)	15/16	7/8 (22.2)
1/2	1/2	SS-CM-VL8-NS8	1.84 (46.7)	0.80 (20.3)	0.75 (19.1)	0.40 (10.2)	15/16	7/8 (22.2)
3/4	3/4	SS-CM-VL12-NS12	1.96 (49.8)	0.94 (23.9)	0.75 (19.1)	0.62 (15.7)	1 1/4	1 3/16 (30.1)
1	1	SS-CM-VL16-NS16	2.25 (57.2)	0.94 (23.9)	0.94 (23.9)	0.87 (22.1)	1 9/16	1 1/2 (38.1)

Adapters



T-Tube O.D. (in.)	Tx-Tube O.D. (in.)	Ordering Number	Dimensions, in. (mm)			
			L	C	E	G
1/16	1/4	SS-CW-VL1-A4	1.12 (28.4)	0.43 (10.9)	0.05 (1.3)	3/8
1/8	1/4	SS-CW-VL2-A4	1.20 (30.5)	0.43 (10.9)	0.09 (2.3)	9/16
1/8	3/8	SS-CW-VL2-A6	1.21 (30.7)	0.43 (10.9)	0.09 (2.3)	9/16
1/4	1/4	SS-CW-VL4-A4	1.34 (34.0)	0.62 (15.7)	0.18 (4.6)	11/16
1/4	3/8	SS-CW-VL4-A6	1.33 (33.8)	0.62 (15.7)	0.18 (4.6)	11/16
1/4	1/2	SS-CW-VL4-A8	1.47 (37.3)	0.62 (15.7)	0.18 (4.6)	11/16
3/8	3/8	SS-CW-VL6-A6	1.47 (37.3)	0.66 (16.8)	0.28 (7.1)	13/16
3/8	1/2	SS-CW-VL6-A8	1.58 (40.1)	0.66 (16.8)	0.28 (7.1)	13/16
1/2	5/8	SS-CW-VL8-A10	1.64 (41.7)	0.80 (20.3)	0.40 (10.2)	15/16
1/2	3/4	SS-CW-VL8-A12	1.69 (42.9)	0.80 (20.3)	0.40 (10.2)	15/16
3/4	1	SS-CW-VL12-A16	1.78 (45.2)	0.94 (23.9)	0.62 (15.7)	1 1/4
1	1 1/4	SS-CW-VL16-A20	1.80 (45.7)	0.94 (23.9)	0.87 (22.1)	1 9/16
1 1/2	1 1/2	SS-CW-VL24-A24	1.98 (50.3)	0.94 (23.9)	1.25 (31.8)	2 1/16

Nuts



T-Tube O.D. (in.)	Ordering Number	Thread Size	Dimensions, in. (mm)		
			L	E	G
1/16	SS-N-VL1	1/4-20 UNC	0.38 (9.60)	0.07 (1.80)	3/8
1/8	SS-N-VL2	3/8-20 UN	0.41 (10.4)	0.13 (3.30)	9/16
1/4	SS-N-VL4	1/2-20 UNF	0.53 (13.5)	0.26 (6.60)	11/16
3/8	SS-N-VL6	5/8-20 UN	0.62 (15.7)	0.38 (9.60)	13/16
1/2	SS-N-VL8	3/4-20 UNEF	0.62 (15.7)	0.51 (13.0)	15/16
5/8	SS-N-VL10	15/16-20 UNEF	0.62 (15.7)	0.63 (16.0)	1 1/8
3/4	SS-N-VL12	1 1/16-20 UN	0.72 (18.3)	0.76 (19.3)	1 1/4
1	SS-N-VL16	1 3/8-20 UN	0.72 (18.3)	1.01 (25.6)	1 9/16
1 1/2	SS-N-VL24	1 7/8-20 UN	0.72 (18.3)	1.51 (38.4)	2 1/16

O-rings



T-Tube O.D. (in.)	Ordering Number	Material
1/16	VI7-001	70 durometer fluorocarbon FKM
1/8	VI7-006	
1/4	VI7-010	
3/8	VI7-012	
1/2	VI7-014	
5/8	VI7-114	
3/4	VI7-116	
1	VI7-120	
1 1/2	VI7-128	

info@fitokgroup.com
www.fitokgroup.com

FK-IC-GF-09-EN-180711