

# Sample Cylinders Compliant with the Transportable Pressure Equipment Directive (TPED)

SC Series



**FITOK**  
Valves and Fittings

## 1 Sample Cylinders Compliant with TPED

### Application

- ⦿ Hydrocarbon sampling in refineries
- ⦿ Sampling gas in chromatography
- ⦿ Condensate sampling in fossil fuel and nuclear power plants
- ⦿ Surge accumulators or reaction vessels

### Features

- ⦿ Volume ranging from 40~3785 ml
- ⦿ 1/8, 1/4, and 1/2 female NPT connections
- ⦿ Cylinder heads are formed by utilizing spinning process for consistent strength, size and dimensions
- ⦿ Special high tolerance NPT thread
- ⦿ All models are internally sandblasted to smooth surface imperfections and remove foreign particles
- ⦿ FITOK cylinders available in 304L SS and 316L SS.
- ⦿ Cylinders to be furnished with valves, carrying handles, caps and plugs
- ⦿ Approval of TPED (Transportable Pressure Equipment Directive)

### Pressure Ratings

The pressure ratings for FITOK sample cylinders and valves shown in this brochure are in accordance with the EC-type examination for the products.

### Materials

Standard FITOK cylinders are available in 304L and 316L stainless steel.

### Testing

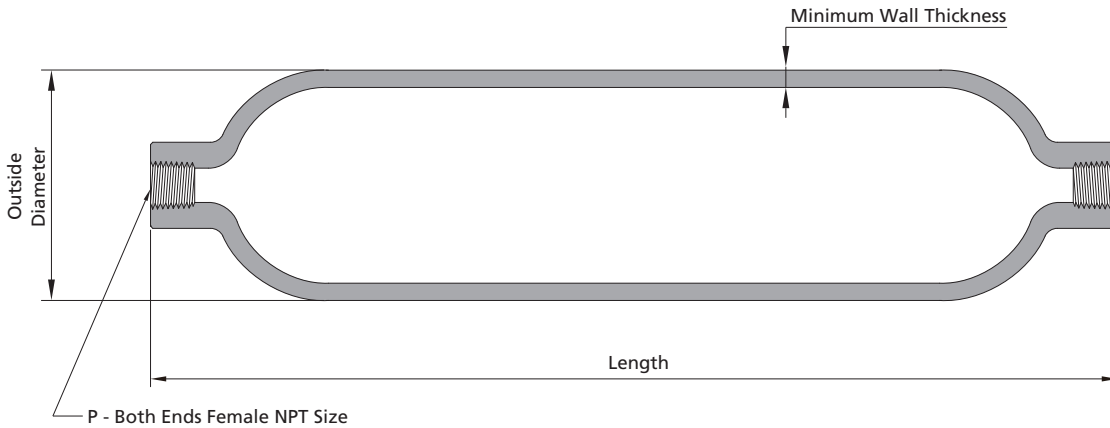
Every TPED-compliant sample cylinder is hydrostatically tested at 1.5 times the pressure rating. Every TPED-compliant cylinder valve is factory tested with nitrogen at 1000 psig ( 69 bar). Seats have a maximum allowable leak rate of 0.1 std cm<sup>3</sup>/min. Shell testing is performed at 1.5 times the pressure rating to a requirement of no detectable leakage with a liquid leak detector.

### Cleaning and Packaging

All FITOK TPED-compliant sample cylinders and cylinder valves are cleaned and packaged in accordance with FITOK FC-01 Standard Cleaning and Packaging.

FITOK FC-02 Special Cleaning and Packaging are also available as an option for cylinder valves to ensure compliance with product cleanliness requirements of ASTM G93 Level C.

## Construction



## Technical Data

Dimensions, in millimeters (inches), are for reference only and are subject to change.

Basic Ordering No.	Working Pressure psig (bar)	Internal Volume cm <sup>3</sup>	P - Female NPT	Dimension, in. (mm)				
				Outside Diameter	Length	Minimum Wall Thickness	Weight lb (kg)	
4L-SC13-N2-40	1885 (130)	40	1/8"	1.25 (31.8)	5.39 (137)	0.070 (1.8)	0.82 (0.37)	
4L-SC13-N4-50		50	1/4"	1.5 (38.1)	5.23 (133)		0.093 (2.4)	0.97 (0.44)
4L-SC13-N4-75		75			6.38 (162)			1.30 (0.59)
4L-SC10-N4-150	1450 (100)	150	1/4"	2.0 (50.8)	6.89 (175)	0.093 (2.4)	2.18 (0.99)	
4L-SC10-N4-300		300			11.6 (295)		4.01 (1.82)	
4L-SC10-N4-400		400			14.9 (378)		5.22 (2.37)	
4L-SC10-N4-500		500			17.7 (450)		6.02 (2.73)	
4L-SC10-N4(8)-1000		1000			3.5 (88.9)		11.3 (287)	0.180 (4.6)
4L-SC10-N4(8)-2250	4350 (300)	2250	1/4" 1/2"	4.0 (102)	16.6 (422)	0.206 (5.2)	11.49 (5.21)	
4L-SC10-N4(8)-3785		3785			26.1 (663)		18.58 (8.43)	
6L-SC10-N4-300	1450 (100)	300	1/4"	2.0 (50.8)	11.6 (295)	0.093 (2.4)	4.03 (1.83)	
6L-SC10-N4-500		500			17.7 (450)		6.04 (2.74)	
6L-SC10-N4-1000		1000			3.5 (88.9)		11.3 (287)	0.180 (4.6)
6L-SC30-N4-150	4350 (300)	150	1/4"	1.9 (48.2)	8.30 (210)	0.240 (6.1)	3.11 (1.41)	
6L-SC30-N4-300		300			14.8 (375)		5.45 (2.47)	
6L-SC30-N4-500		500			23.6 (600)		8.86 (4.02)	

## Internal Cylinder Surface

### PTFE Coating

Internal cylinder surfaces can be coated with PTFE to provide excellent lubricity and very low permeability.

### Electropolishing

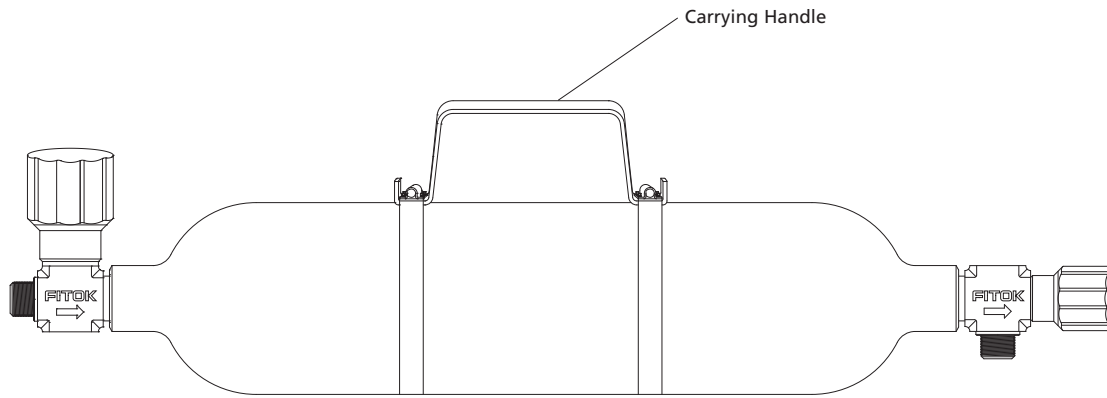
Electropolishing can provide a clean internal surface with a high degree of passivation.

### 3 Sample Cylinders Compliant with TPED

## Sample Cylinder Accessories

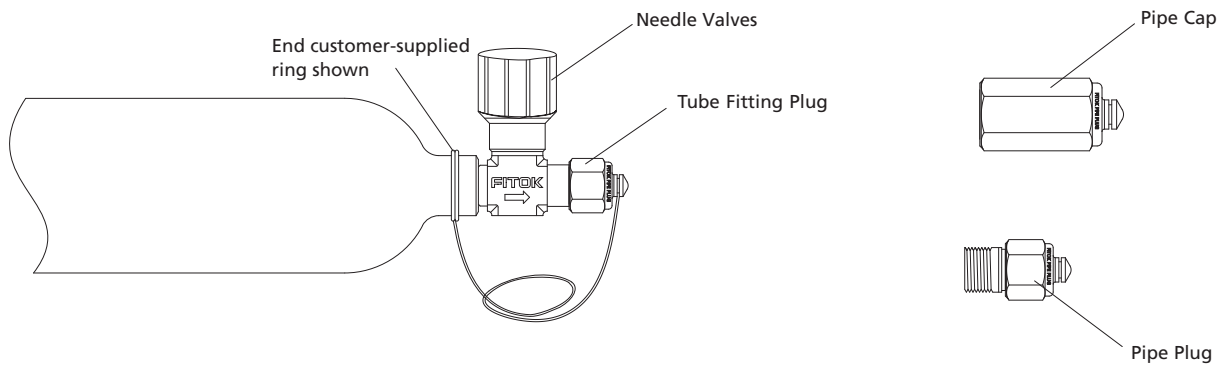
### Carrying Handle

It provides convenient carrying of sample cylinders. It's made from 304 SS.



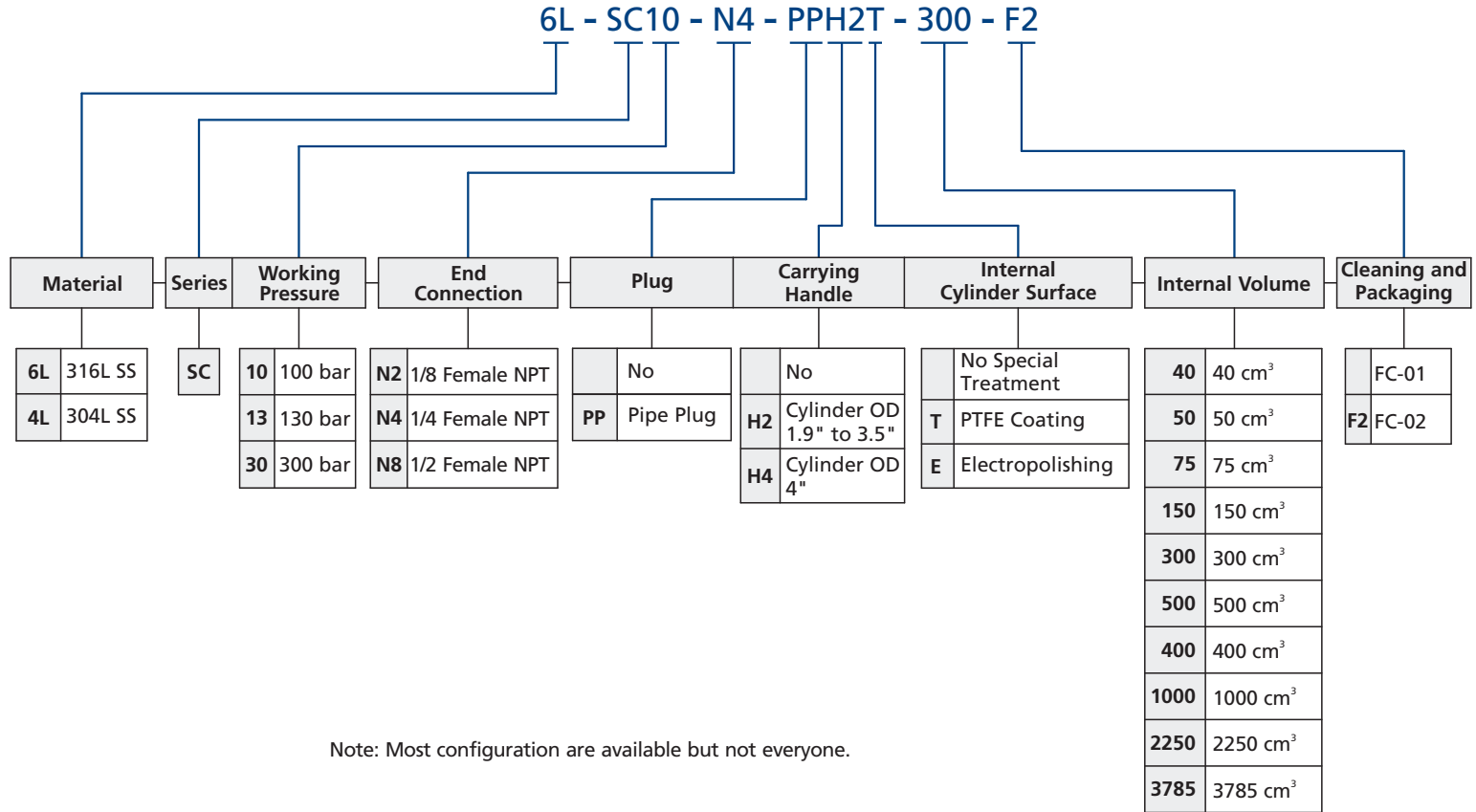
### Caps and Plugs

Caps and plugs protect FITOK tube fitting or NPT end connections on valves during cylinder transportation.



Note: \* FITOK "ND" or "NU" series Needle Valve are available, please contact FITOK group or authorized agent.

# Part Number Description



Note: Most configuration are available but not everyone.

## **FITOK Group**

### **FITOK GmbH (Headquarter)**

Sprendlinger Landstr. 115, 63069 Offenbach am Main, Germany  
Tel.: +49 69 8900 4498 Fax: +49 69 8900 4495

### **FITOK, Inc.**

13843 North Promenade Blvd., Suite 750, Stafford, Texas 77477, USA  
Tel.: +1 281 888 0077 Fax: +1 281 582 4051

### **FITOK Incorporated**

Block C, Zone E, Yingtai Industrial Park, Dalang Street,  
Longhua New District, Shenzhen, 518109, China  
Tel.: +86 755 2803 2500 Fax: +86 755 2803 2619

### **FITOK Middle East Oil Equipment Trading LLC**

208-209, Makateb Tower, Airport Road, P.O.Box 185412, Deira, Dubai, UAE  
Tel.: +971 4 2959 853 Fax: +971 4 2959 854

info@fitokgroup.com  
www.fitokgroup.com

FK-IC-GC-03-EN-160405