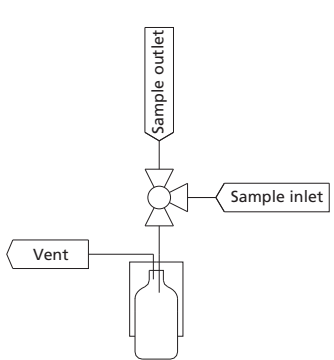


BLA2 - System Purge Type

Features

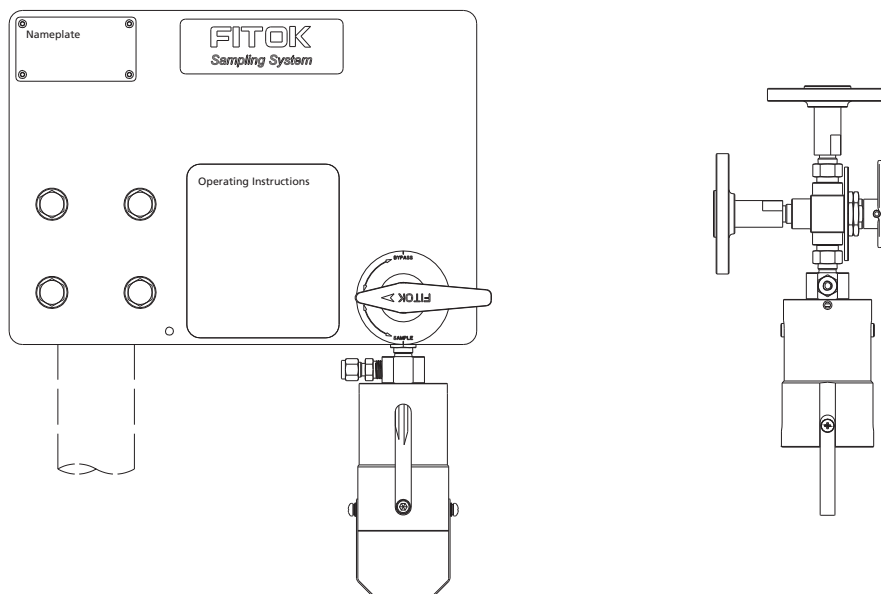
- ⦿ Sampling from low pressure devices or process lines: 0-145 psig (0-10 bar)
- ⦿ System purge

Basic Configuration

Wetted Material	316 SS	
Sleeve Assembly	250 ml sleeve with bottle retaining clip	
Needle Assembly	Process/vent needle ID: 1.4 mm (0.06")	
Sampling Valve	BF Series 3-way ball valves: PTFE seat and FKM O-ring Max. working pressure: 1500 psig @ 70°F (103 bar @ 20°C) Temperature range: 0°F to 450°F (-18°C to 232°C)	
Connections	1/4" tube fitting	

Note: Products of other specifications are available upon request.

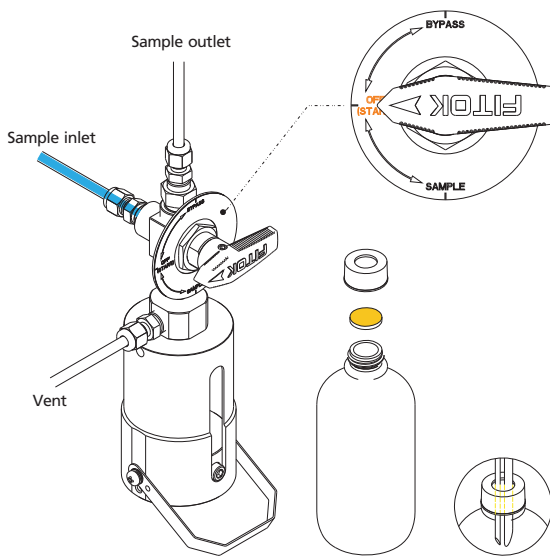
Typical Installation Mode



Operation

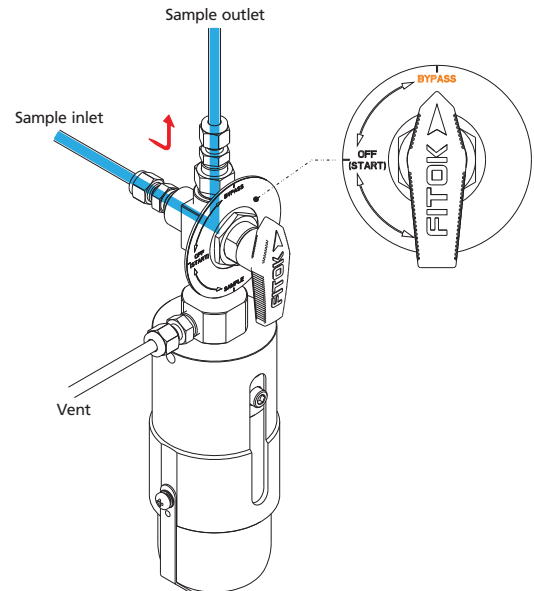
1 - Preparation

Place a new septum on the sample bottle. Insert the bottle with cap and septum into the sleeve until the septum is pierced by the needles. Swing down the bottle retaining clip.



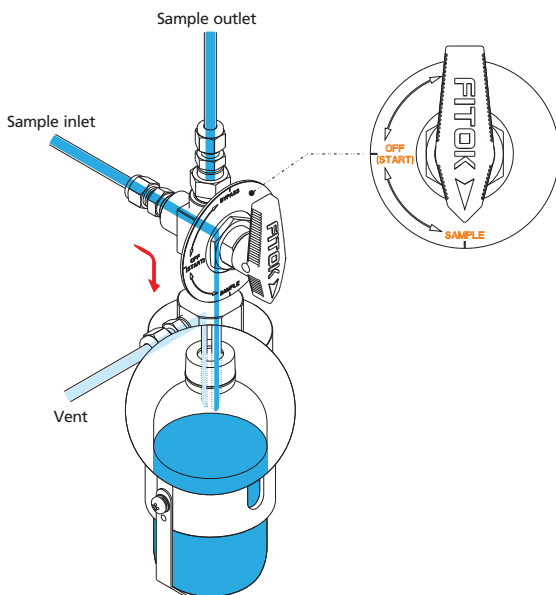
2 - System Purge

Turn the handle to the "BYPASS" position, allowing the sample to flow continuously through the system and purge system to ensure representative sampling.



3 - Sampling

Turn the handle to the "SAMPLE" position, allowing the sample to flow into the bottle. When the required amount has been taken, turn the system to the "OFF" position to close the sampling system.



4 - Off

Remove the bottle retaining clip and take out the bottle from the sleeve. The septum reseals automatically to complete the sampling process.

