

## BLC3 - Fixed Volume Type with Heating/Cooling Jacket

### Features

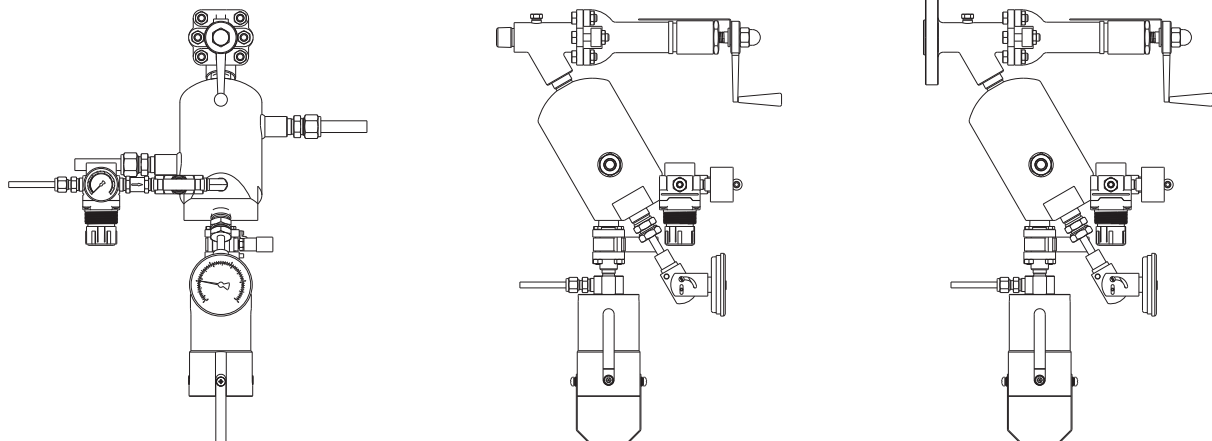
- Sampling from vacuum, low or high pressure devices or process lines
- Fixed volume sampling
- Sampling with a piston valve to ensure zero dead volume
- Sampling for highly viscous liquids
- Heating/cooling jacket to ensure sampling within a certain range of temperature
- Needle purge

### Basic Configuration

<b>Wetted Material</b>	316 SS	
<b>Sleeve Assembly</b>	250 ml sleeve with bottle retaining clip	
<b>Needle Assembly</b>	Process/vent needle ID: 1.4 mm (0.06")	
<b>Sampling Valve</b>	Piston valve: PTFE seat Max. working pressure: 1500 psig @ 70°F (103 bar @ 20°C) Temperature range: 0°F to 450°F (-18°C to 232°C)	
<b>Nitrogen Branch</b>	Nitrogen regulator	
	CV Series check valves, NB Series needle valves	
<b>Connections</b>	Pressure gauge	
	Process: 1/2" MNPT	
	Vent/purge: 1/4" tube fitting	
<b>Others</b>	Heating/cooling: 3/8" FNPT	
	Heating/cooling jacket, sample chamber (200 ml), thermometer, BH Series ball valves	

Note: Products of other specifications are available upon request.

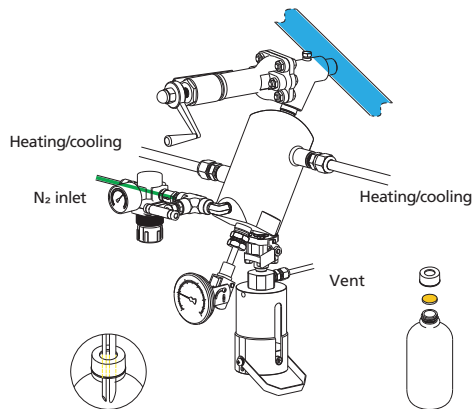
### Typical Installation Mode



## Operation

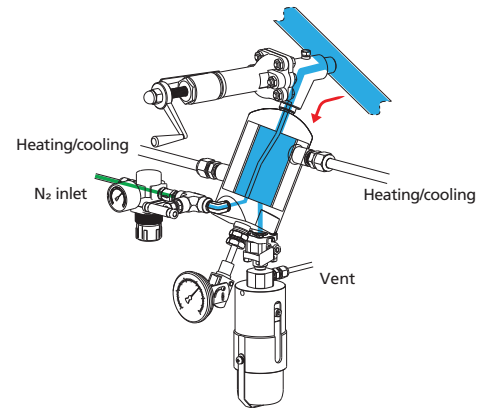
### 1 - Preparation

Place a new septum on the sample bottle. Insert the bottle with cap and septum into the sleeve until the septum is pierced by the needles. Swing down the bottle retaining clip.



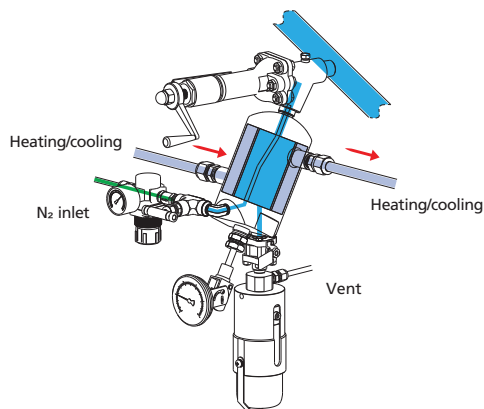
### 2 - Pre-sampling

Open the piston valve, allowing the sample to flow into the sample chamber. The amount of sample depends on the sample chamber volume and process pressure. Close the piston valve.



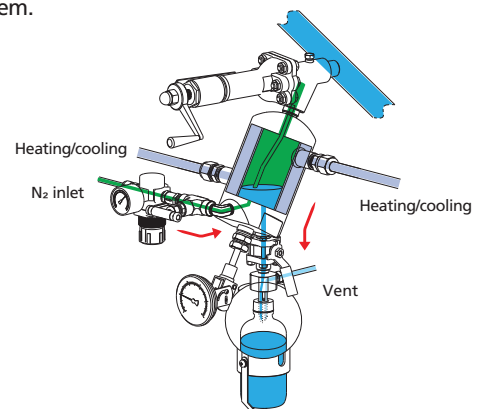
### 3 - Heating/cooling

Allow the heating/cooling fluid to flow through the heating/cooling jacket. Hold for a sufficient time until the sample reaches the required temperature.



### 4 - Sampling

Open the valve on the Nitrogen branch and the valve above the needle assembly, allowing Nitrogen to force the sample from the sample chamber into the bottle and purge the system.



### 5 - Off

Close the valve on the Nitrogen branch and the valve above the needle assembly. Remove the bottle retaining clip and take out the bottle from the sleeve. The septum reseals automatically to complete the sampling process.

