

BLD3 - Heating/Cooling Type

Features

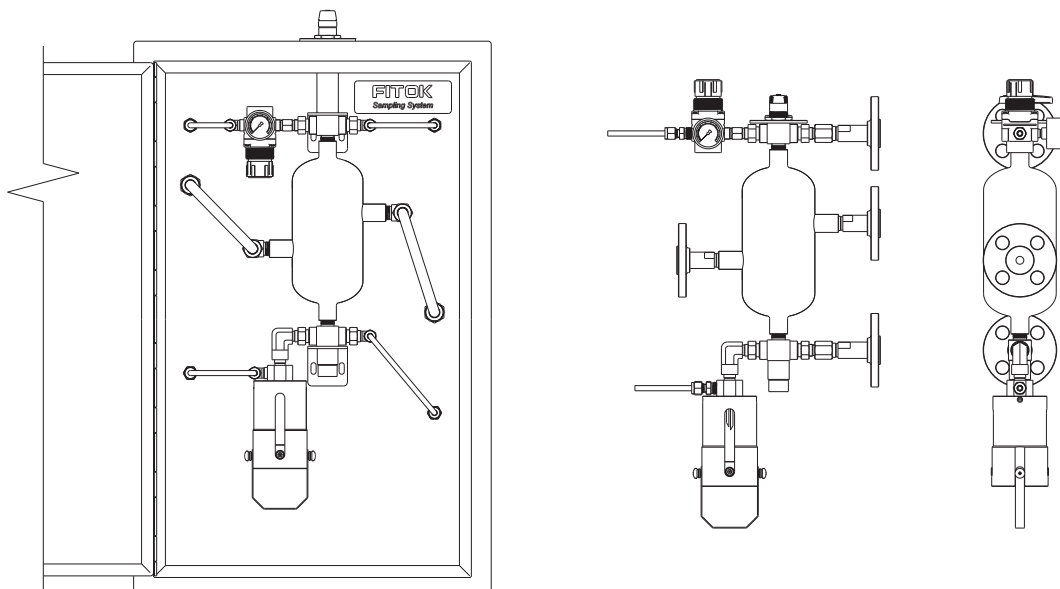
- Sampling from medium or high pressure devices or process lines
- Fixed volume sampling
- System purge and needle purge
- Heating/cooling jacket to ensure sampling within a certain range of temperature
- Easy operation with a single handle by linkage valve

Basic Configuration

Wetted Material	316 SS	
Sleeve Assembly	250 ml sleeve with bottle retaining clip	
Needle Assembly	Process/vent needle ID: 1.4 mm (0.06")	
Sampling Valve	BF Series 3-way ball valves (rod linkage): PTFE seat and FKM O-ring Max. working pressure: 1500 psig @ 70°F (103 bar @ 20°C) Temperature range: 0°F to 450°F (-18°C to 232°C)	
Nitrogen Branch	Nitrogen regulator	
	CV Series check valves	
	Pressure gauge	
Connections	Process/vent/purge: 1/4" tube fitting	
	Heating/cooling: 3/8" FNPT	
Others	Heating/cooling jacket, sample chamber (200 ml)	

Note: Products of other specifications are available upon request.

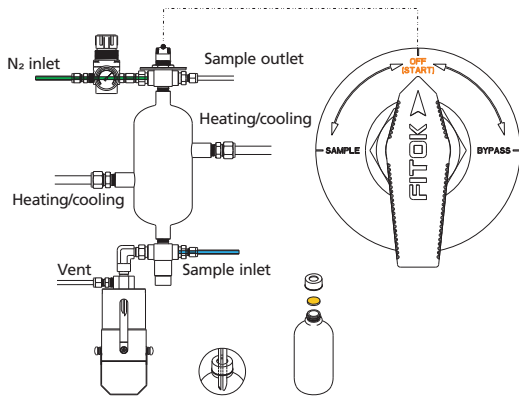
Typical Installation Mode



Operation

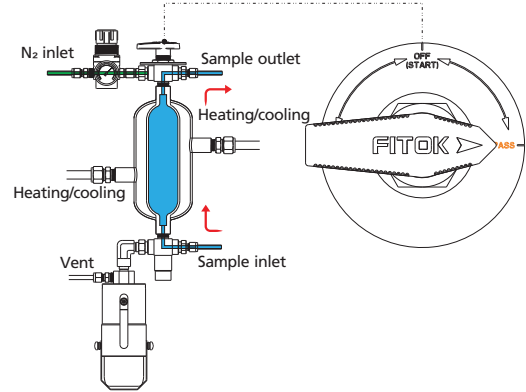
1 - Preparation

Place a new septum on the sample bottle. Insert the bottle with cap and septum into the sleeve until the septum is pierced by the needles. Swing down the bottle retaining clip.



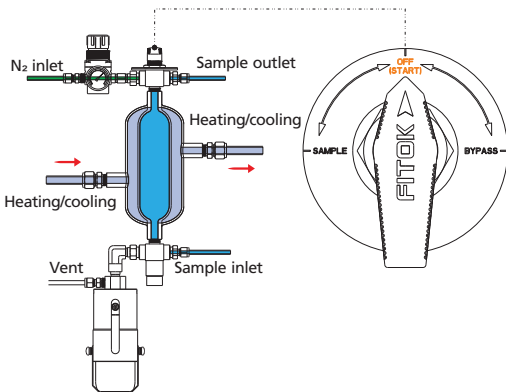
2 - System Purge

Turn the handle to the "BYPASS" position, allowing the sample to flow continuously through the sample chamber. Hold for a period of time to ensure representative sampling.



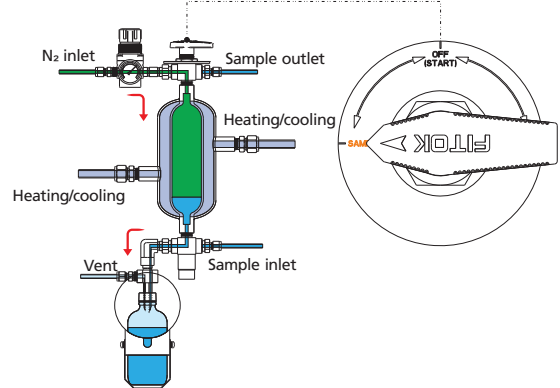
3 - Heating/cooling

Turn the handle to the "OFF" position, allowing the heating/cooling fluid to flow through the heating/cooling jacket. Hold for a sufficient time until the sample reaches the required temperature.



4 - Sampling

Turn the handle to the "SAMPLE" position, allowing Nitrogen to force the sample from the sample chamber into the bottle and purge the sample chamber and needle assembly. The amount of sample depends on the sample chamber volume.



5 - Off

Turn the handle to the "OFF" position to close the sampling system. Remove the bottle retaining clip and take out the sample bottle from the sleeve. The septum reseals automatically to complete the sampling process.

