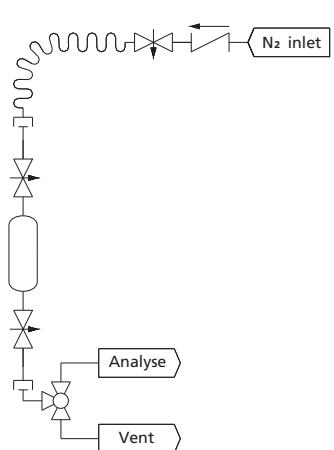


SRC - Sample Emptying System for Cylinder

Features

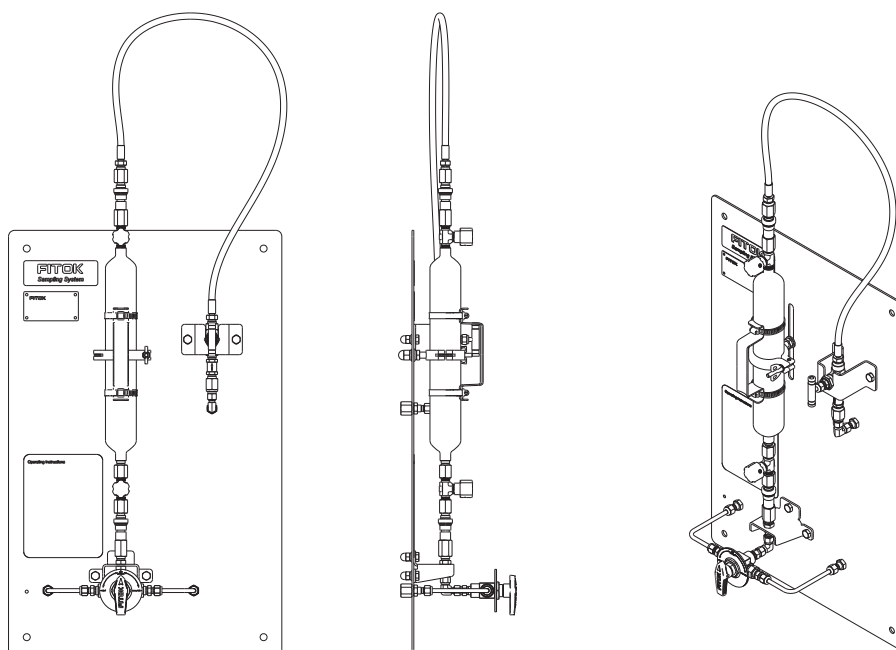
- ⦿ Analyse the sample from the sample cylinder and empty the cylinder for application in the laboratory
- ⦿ Closed emptying without spillage
- ⦿ Depressurization of quick-connects

Basic Configuration

Wetted Material	316 SS	
Cylinder Assembly	500 ml cylinder	
	ND Series needle valves QC4 Series quick-connects	
Analysis/Vent Valve	BF Series 3-way ball valves: PTFE seat and FKM O-ring Max. working pressure: 1500 psig @ 70°F (103 bar @ 20°C) Temperature range: 0°F to 450°F (-18°C to 232°C)	
Other Accessories	CV Series check valves	
	NB Series needle valves	
	PS Series metal hoses	
Connections	Analyse/purge/vent: 1/4" FNPT	
	Cylinder: quick-connects	

Note: Products of other specifications are available upon request.

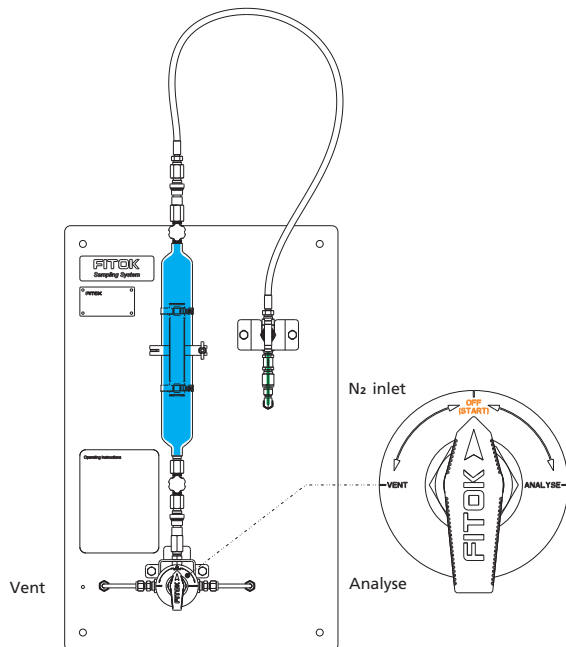
Typical Installation Mode



Operation

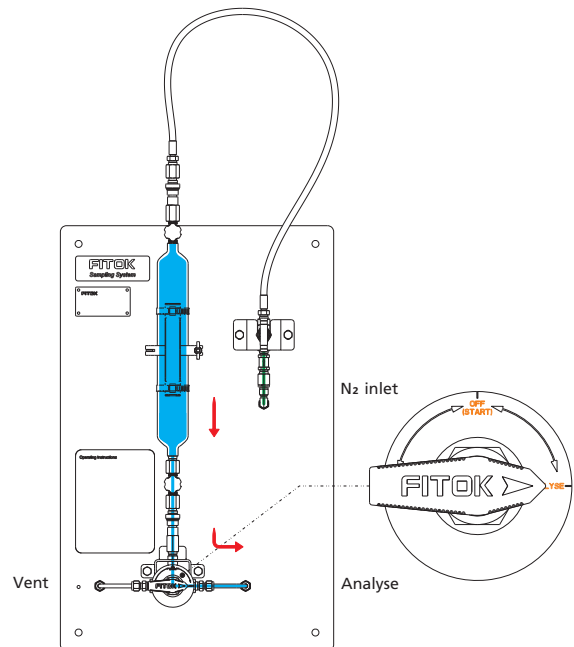
1 - Preparation

Install the sample cylinder. Connect the hose to the top quick-connect of the cylinder.



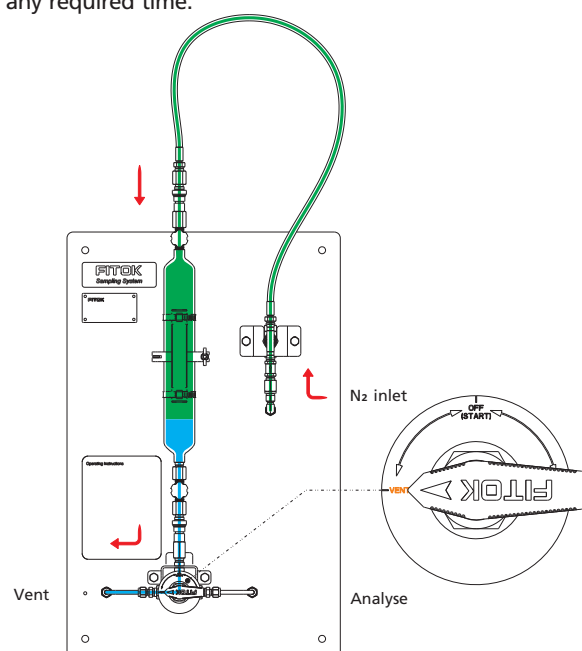
2 - Analyse

Open the needle valves of the cylinder. Turn the handle to the "ANALYSE" position, allowing the sample to flow into the analyser. When the required amount has been taken, turn the handle to the "OFF" position.



3 - Vent

Turn the handle to the "VENT" position. Open the needle valve on the Nitrogen branch, allowing Nitrogen to purge the cylinder to ensure that any residual fluid is removed from the cylinder. This position can be held for any required time.



4 - Off

Turn the handle to the "OFF" position and close all the needle valves. Disconnect the hose, remove the cylinder and connect the hose to the bottom quick-connect.

