

BLE4 - Back and Needle Purge Type with Venturi Unit

Features

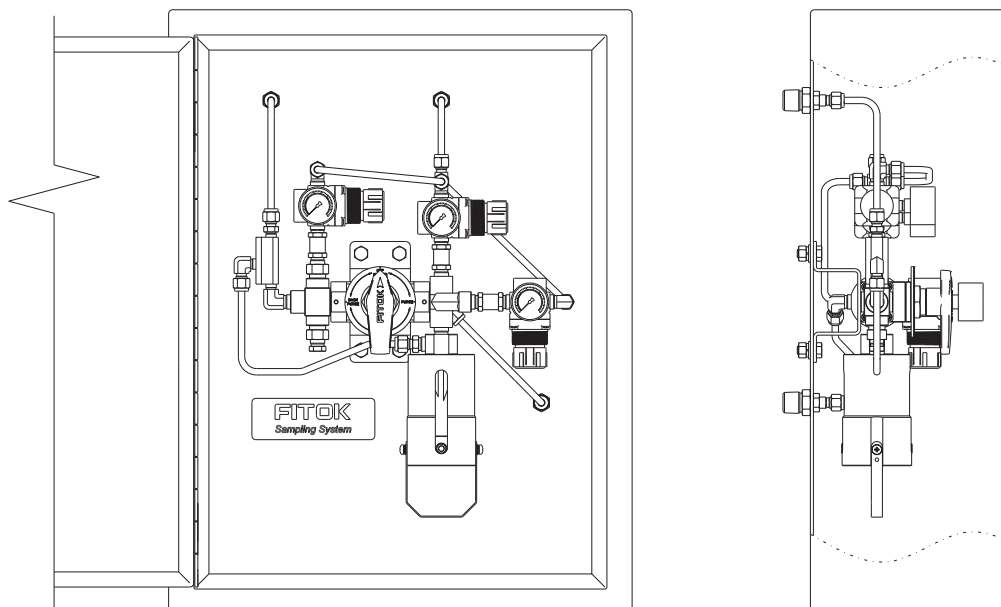
- ⦿ Sampling from process lines at atmospheric pressure or vacuum condition
- ⦿ Back purge and needle purge
- ⦿ Easy operation with a single handle by linkage valve

Basic Configuration

Wetted Material	316 SS	
Sleeve Assembly	250 ml sleeve with bottle retaining clip	
Needle Assembly	Process/vent needle ID: 1.4 mm (0.06")	
Sampling Valve	BF Series 3-way ball valves and BO Series 4-way ball valves (gearbox linkage): PTFE seat Max. working pressure: 1500 psig @ 70°F (103 bar @ 20°C) Temperature range: 0°F to 300°F (-18°C to 148°C)	
Nitrogen Branch	Nitrogen regulator	
	CV Series check valves Pressure gauge	
Venturi Unit	Creating a vacuum in the sample bottle, sampling at atmospheric pressure or vacuum condition	
Connections	1/4" tube fitting	

Note: Products of other specifications are available upon request.

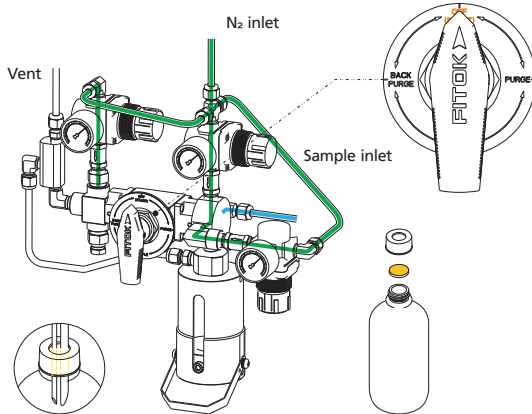
Typical Installation Mode



Operation

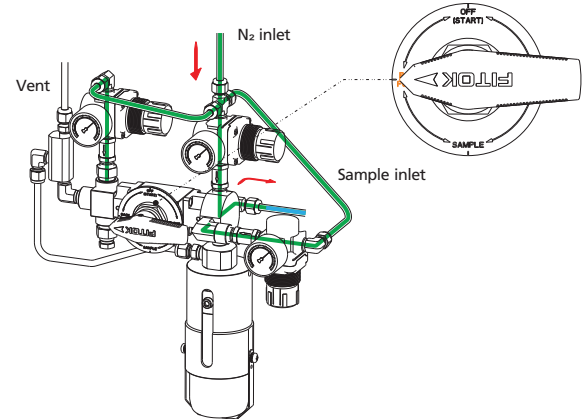
1 - Preparation

Place a new septum on the sample bottle. Insert the bottle with cap and septum into the sleeve until the septum is pierced by the needles. Swing down the bottle retaining clip.



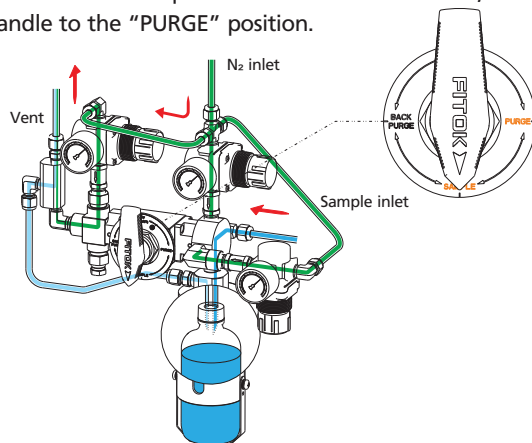
2 - Back Purge

Turn the handle to the "BACK PURGE" position, allowing Nitrogen to force the residual sample from the system into the process line to ensure representative sampling.



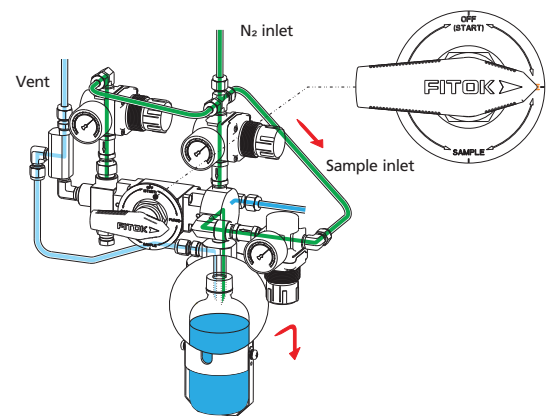
3 - Sampling

Turn the handle to the "SAMPLE" position, allowing the sample to flow into the bottle vacuumized by the venturi unit. When the required amount has been taken, turn the handle to the "PURGE" position.



4 - Needle Purge

Allow Nitrogen to force the residual sample from the needle assembly into the bottle. Hold this position for a sufficient time.



5 - Off

Turn the handle to the "OFF" position to close the sampling system. Remove the bottle retaining clip and take out the bottle from the sleeve. The septum reseals automatically to complete the sampling process.

